

General information

A Surfacing requirements

This equipment should be installed on an impact absorbing surfacing / loose fill material that accords with DIN EN 1176 / EN 1176 and is adequate for a maximum free height of fall of ≤ 1.50 m.

B Foundations

Please take into account the special sheet: „Notes on the construction of foundations“.

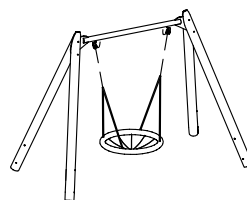
Special information

Certified by TÜV Product Service GmbH in compliance with EN 1176.

Please do not alter any parts of the equipment or the construction itself since this may affect the safety standards and your guarantee.

We reserve the right to make technical alterations! For further information please call your local agent.

**Swallow's Nest special
Order No. 6.14720**



Components

Number of parts: 2

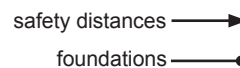
- 1 bundle: 4 stand posts with steel feet and cross beam made of steel
- 1 bundle: swallow's nest with suspension

Total weight: approx. 240 kg
heaviest single part: approx. 50 kg
largest single part: Ø 18 cm x 3.70 m

En-EN 02.11.2016

Required space including safety distances (EN 1176)

800 x 420 cm



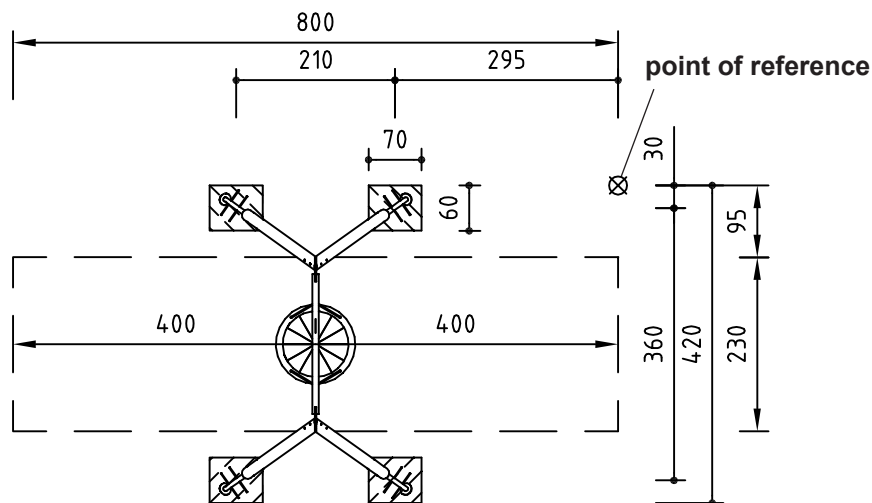
Ground plan

scale 1:100
all dimensions in cm

Foundations

quality of concrete C25/30

4 items 60 x 70 x 60 cm
excavation depth 80 cm



Copyright © RICHTER SPIELGERÄTE GMBH


Recommended assembly tools and materials

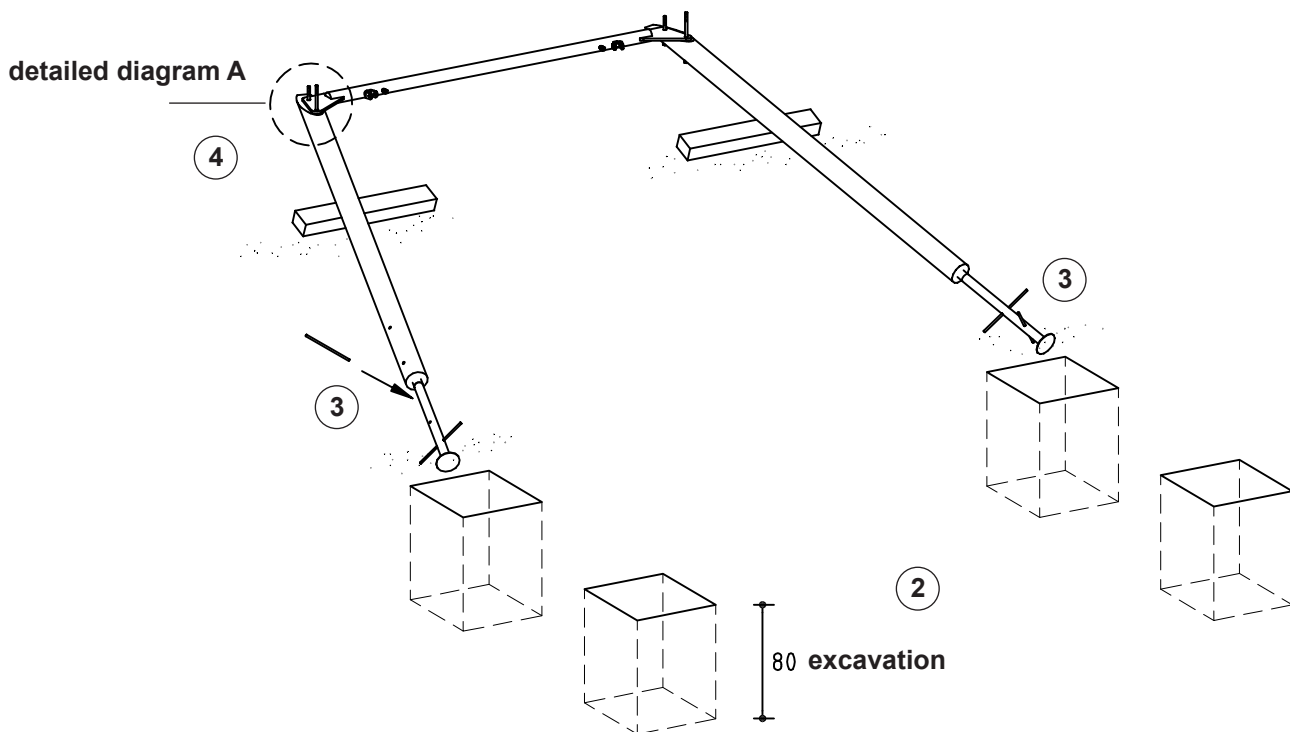
- set of carpenter's tools
- set of ratchets
- set of spanners
- Torx inserts T 20, 25, 30, 40, 50
- rubber mallet

Attention!

During the assembly period (including the setting of the concrete) it is not allowed to play on or put any weight on the equipment in order to secure stability during use after the assembly. Standard concrete requires at least 2 weeks to set.

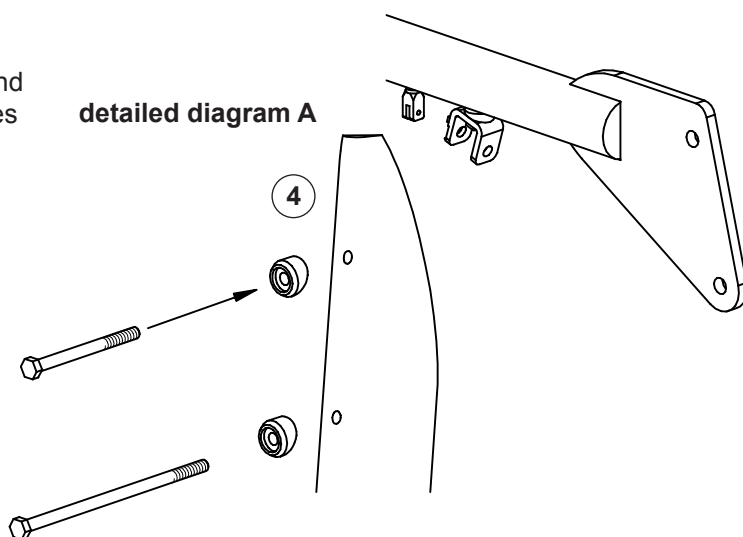
Sequence of assembly operations

1. Locate the site and take into account the space required, including the safety distances, according to the ground plan on page 1.
2. Start surveying at the point of reference  and dig out the foundation holes.

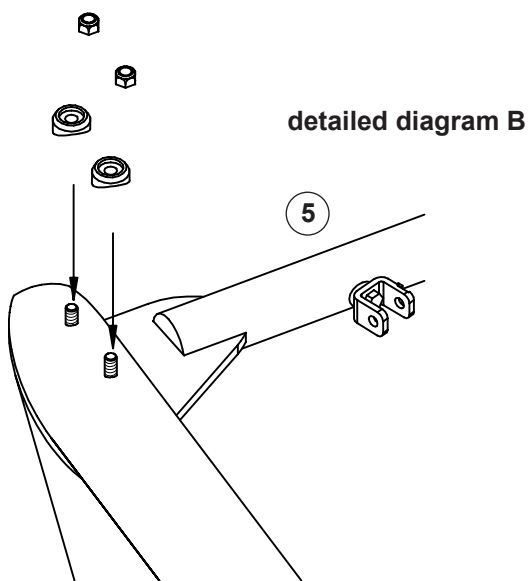
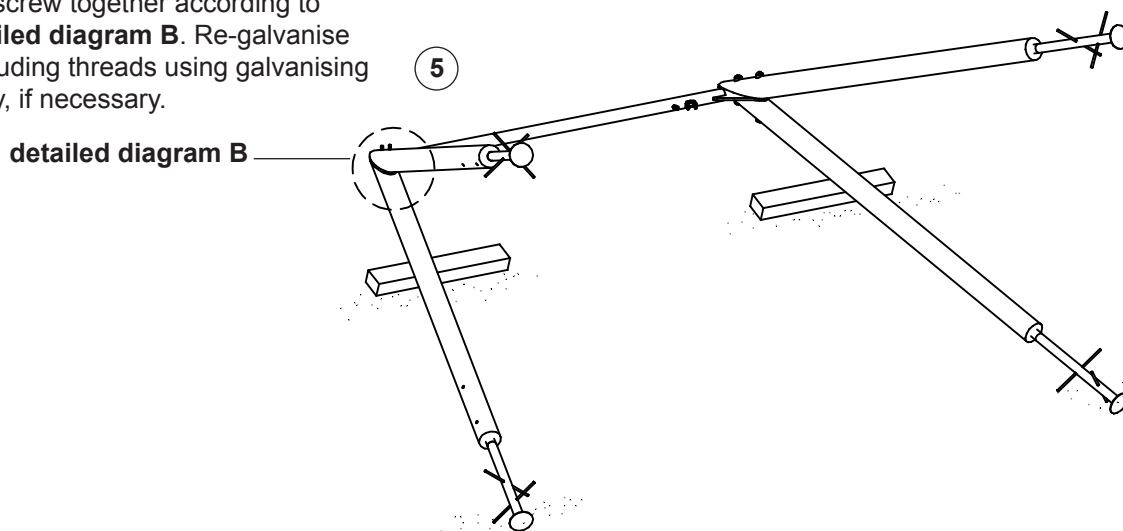


3. Place two stand posts in front of the foundation holes (posts are marked) and insert the foundation irons into the holes of the steel feet.

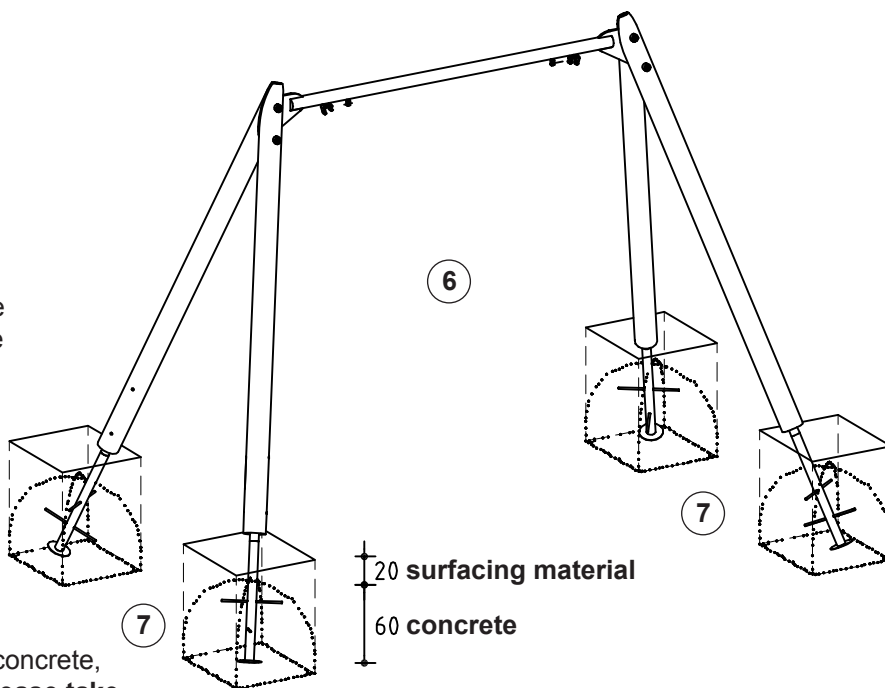
4. Assemble bolts, washers, posts and cross beam according to **detailed diagram A**.



5. Attach the two remaining stand posts and screw together according to **detailed diagram B**. Re-galvanise protruding threads using galvanising spray, if necessary.



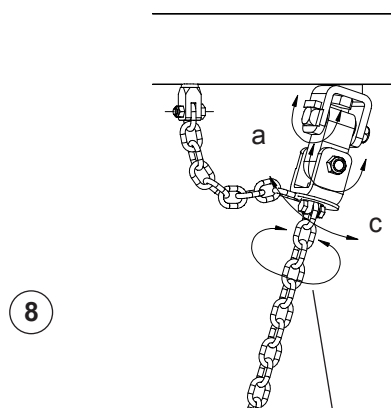
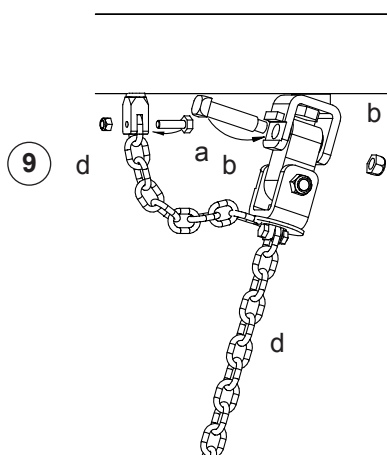
6. Place the swing frame into the foundation holes and align the equipment.



7. Fill the foundation holes with concrete, tamp and round the edges. **Please take into account the special sheet: Notes on the construction of foundations.** Cover the foundations up to ground level with surfacing material.
Note: Do not assemble the swallow's nest before the concrete has set.

8. Hook on the swallow's nest and **pay attention to the following notes when doing this:**

- a When installing joints make sure that the bolt head fits snugly into the milled slot.
- b The nut has to be tightened to the end of its thread.
- c Make sure that the joints move smoothly.
- d Tighten the bolts until the uppermost chain link cannot be moved.



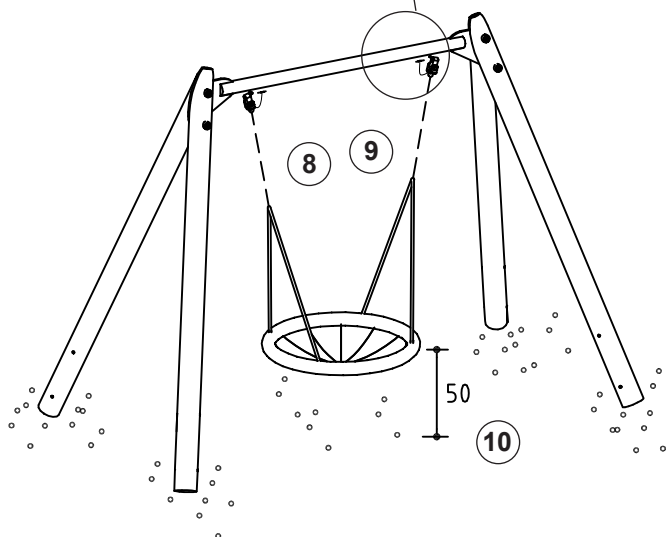
9. Attach the safety chain to the chain path fork.

Note: The safety chain must not be taut when the equipment is being used.

10. Check the height (top edge = 50 cm) of the swallow's nest when at rest.

11. Repair minor damage caused during assembly or transportation.

12. Please ensure that all assembly aids, e.g. excess bolts, assembly instructions, distance battens or tape are removed entirely from the play equipment and the playground after work is finished.



Please note that after about 6 weeks all screws and bolts need to be checked and, if necessary, retightened.