

**Play value**

A three-metre-long cross beam hangs by two ropes from the top of a mast of nearly six metres. As the participants run around and pull on the pendulum seats, the ropes wind around the mast, forcing the cross beam to move upwards. When they sit on the seat again, the return force causes participants to fly around the mast in carousel fashion. The return force is dependent on the winding force of the participants. The appeal of cooperative play is increased by the fact that participants with different physical abilities can play together. It can be used on playgrounds for older children and wherever younger ones need to let off steam.

**Fundamental characteristics**

- unique and original
- playful experience of energy storing and giving off of energy
- versatile use, depending on the creativity and skills of the participants
- incentive for playing: design, suspended seats
- exercise activity: physical power, spinning, swinging

**Suitable**

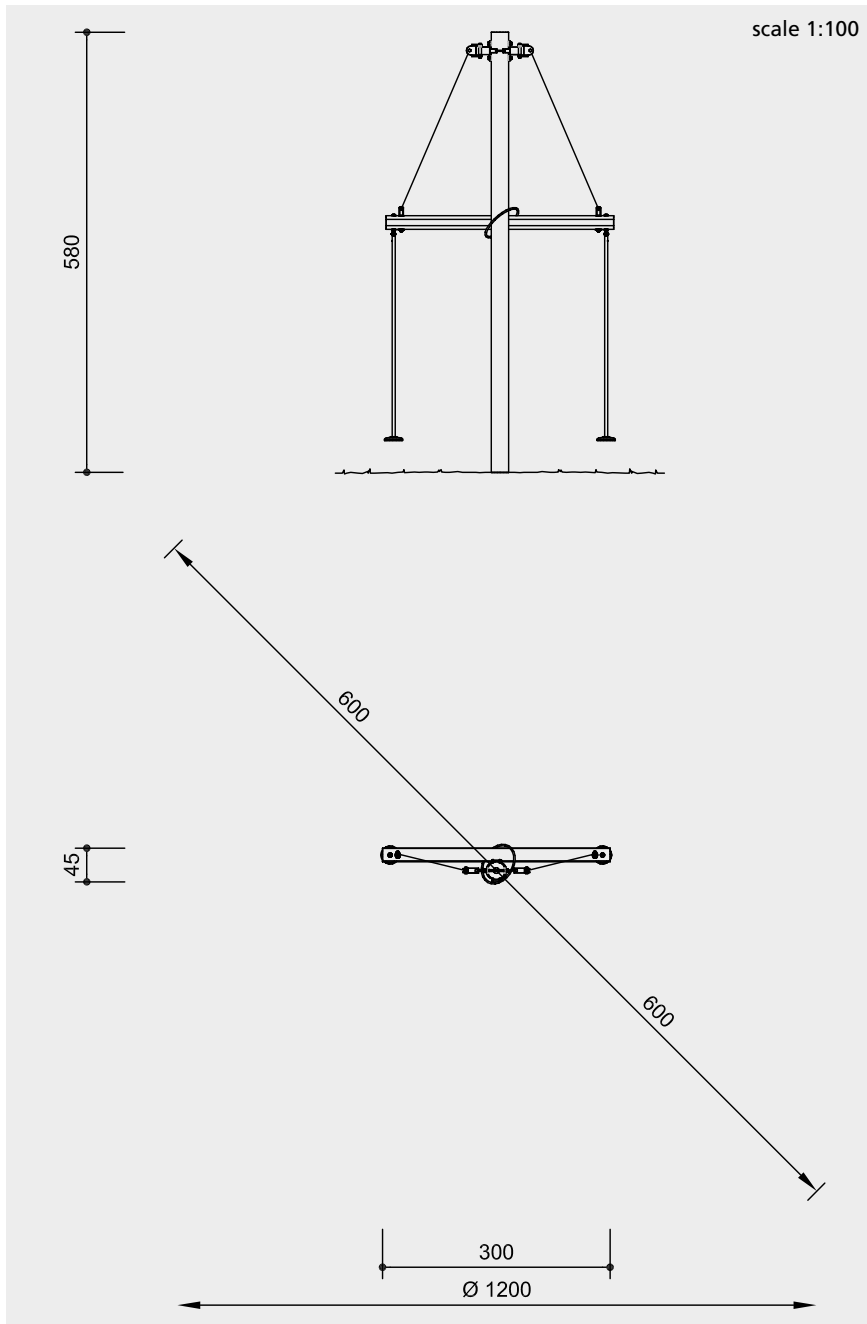
- for children from 6 years of age and young people
- for public playgrounds  
leisure areas  
open-air swimming pools  
youth centres



**Maypole**



**7.16000**



Safety check according to EN 1176 and Equal Safety in Different Ways

**Components**

- 1 main mast
- 1 cross beam
- 2 winding rope including joints
- 1 guide ring
- 2 pendulum seats with chain suspension from universal joints

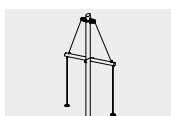
**Installation information**

Surfacing requirements corresponding to a fall height of ≤ 2.00 m (please refer to price list for more detailed information)

Foundations  
1 item 100 x 100 x 100 cm excavation depth 120 cm

**Note**  
The lower two meters of the mast have been reinforced with a thick-walled tube in order to increase its structural stability.

**Attention:**  
**Exact measurements may vary; for all installation dimensions refer to current assembly instructions.**  
Technical changes reserved.  
**Receptacle for setting into concrete available on request (for easy exchange of the equipment).**



7.16000

**Technical information**

**de-barked**  
de-barked posts, of spruce/fir, boiler pressure impregnated according to DIN 68800-3, use class 4, mast diameter 20 - 28 cm, cross beam diameter 18 - 21 cm



**angle cut**  
vertical support posts with angle cut in the end grain section as constructive wood preservation



**perforated**  
The earth/air zone of the wood is perforated by small bore holes to ensure that the impregnating agent penetrates this particularly endangered zone.



**Fürstenberg Permadur System**  
In special cases such as one-legged pieces of equipment and for the climbing forest trunks, we use the patented Fürstenberg Permadur System in the earth/air zone as an additional protective measure.



**pendulum seat**  
large rubber surface, with a soft protective edge and profiled steel insert



**universal joint**  
drop-forged, hot-dip galvanised joint yoke; the universal joint insert consists of two swing bearings



**brass bush**  
for all to and fro movements we use bush bearings which allow for self-lubrication while in use and are easy to exchange if required



**chains**  
suspended on hose-sleeved, short-link chains, 6 mm, welded before hot-dip galvanisation (stainless steel chains available on request)



all fittings hot-dip galvanised

solid winding mechanism

winding ropes of polyester

**Dimensions**

(small deviations possible)

height	5.80 m
width	3.00 m
weight	270 kg

Please refer to the price list for a more detailed explanation of the quality characteristics.