

Play value

We developed a new version with a cross beam made of steel to give the Toddler's Twin Swing a special design. The sophisticated corner connection ensures extra stability for the entire construction. No playground is complete without a swing. It is important that children are offered the right equipment to promote development. Swinging to-and-fro is a basic movement and is not just fun for children. Swinging releases stress, has a comforting effect and is very enjoyable, especially done together next to one another.



Order No. 6.12020 Toddler's Swing



Fundamental characteristics

- aesthetically appealing design
- incentive for playing: repeating familiar activities
- exercise activity: swinging, jumping off

Suitable

- for children from 3 years of age
- for play spaces situated near houses
kindergartens
after-school care clubs
public playgrounds

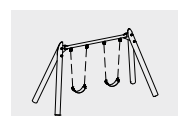
Toddler's Swing – special
Toddler's Twin Swing – special

© Richter Spielgeräte GmbH 10/15

Design and Copyright



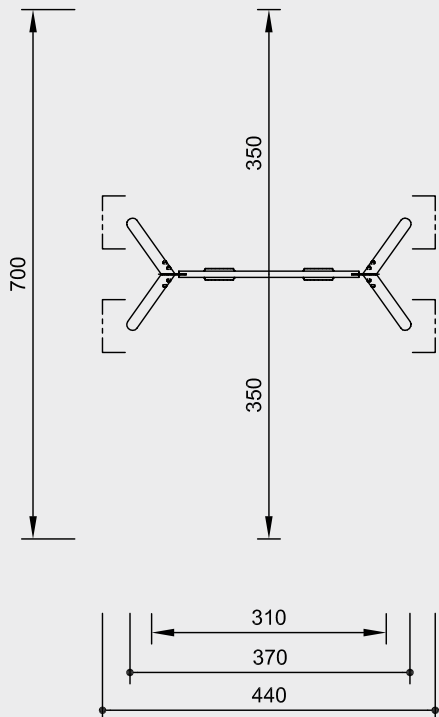
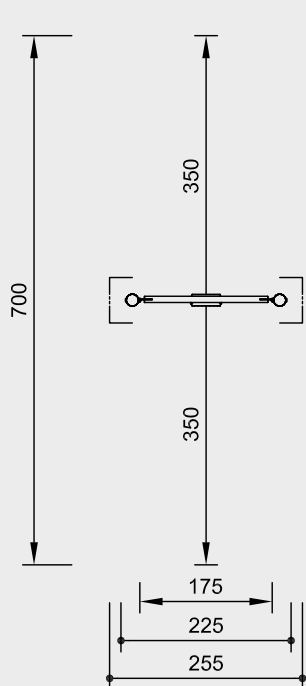
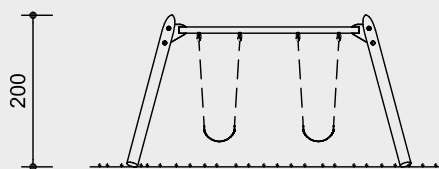
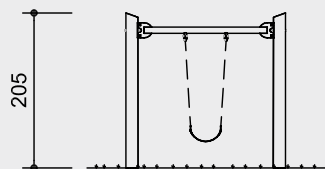
6.12020



6.12720

Order No. 6.12020
Toddler's Swing – special

Order No. 6.12720
Toddler's Twin Swing – special



scale 1:100

safety check according to EN 1176

Components

Order No. 6.12020
Toddler's Swing – special
1 swing with steel feet
and cross beam made of steel
1 canvas seat with chains

Order No. 6.12720
Toddler's Twin Swing – special
1 swing with steel feet and cross beam
made of steel
2 canvas seats with chains

Installation information

Surfacing requirements
corresponding to a fall height of ≤ 1.00 m
(please refer to price list for more
detailed information)

Foundations
Order No. 6.12020
2 items 60 x 60 x 60 cm
excavation depth 80 cm
Order No. 6.12720
4 items 60 x 70 x 40 cm
excavation depth 60 cm

Attention:
Exact measurements may vary;
for all installation dimensions refer
to current installation instructions.
Technical changes reserved.



6.12020



6.12720

Technical information

equipment of non-impregnated
mountain larch

de-barked
de-barked posts, Ø 15 - 18 cm



swing joint
drop-forged, hot-dip galvanised swing
joint with bush with graphite sleeve for
self-lubrication and integrated swivel



concealed head
large surface for pressure distribution,
prevents water from getting inside,
protects the bolt head



strong fastening
bolt connections with milled metal
rings for connections that are stressed
cross-wise



brass bush
for all to and fro movements we use
bush bearings which allow for self-
lubrication while in use and are easy
to exchange if required



chains
suspended on short-link chains,
6 mm, welded before hot-dip
galvanisation (stainless steel chains
available on request)



ground anchor
all parts used for anchoring to the
ground made of hot-dip galvanised
steel



cross beam made of steel
of galvanised steel, with rigid
corner connection, therefore smaller
foundations (for Order No. 6.12720)



Dimensions
(small deviations possible)

Order No.	6.12020	6.12720
height	2.05 m	2.00 m
vertical clearance	1.80 m	1.80 m
width	2.25 m	3.70 m
weight	130 kg	180 kg

Please refer to the price list for a more detailed
explanation of the quality characteristics.