

Play value

Beam See-saws are available in different designs. The basic version has hand grips for two children, the beam is supported on a coloured metal axle. The Double See-saw has two grips on each side of the beam and can be used by four children at the same time. The Twin See-saw offers special fun as the see-saws are connected. Going up and down side by side is great fun.



© Richter Spielgeräte GmbH 10/15

Fundamental characteristics

- progressive rubber buffers support the whole See-saw movement
- see-sawing is also possible alone
- incentive for playing: coloured metal construction, grips
- movement: see-sawing, pushing oneself off, shifting one's weight

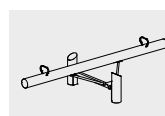
Suitable

- for children from 4 years
- for public playgrounds
children's institutions
leisure parks
school playgrounds
play areas for people with special needs

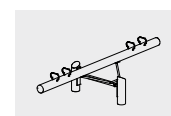
Barrier-free

- special exercise experience

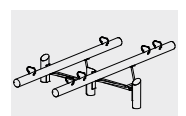
Beam See-saw
Double See-saw
Twin See-saw



6.11600



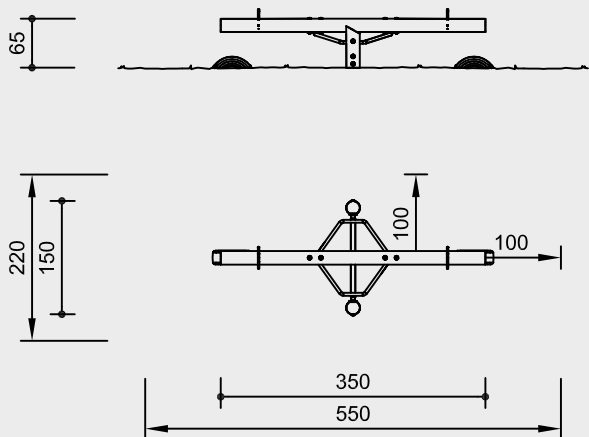
6.11610



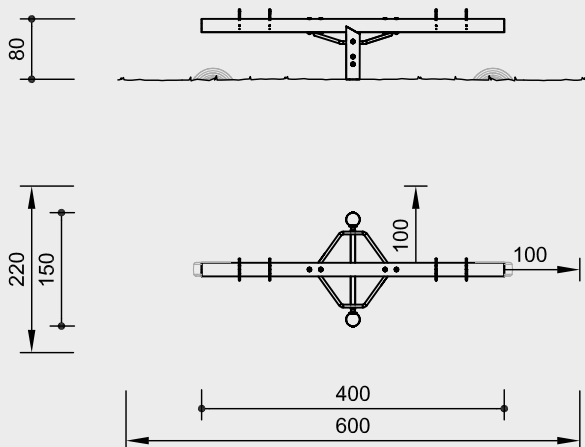
6.11620

Design and Copyright

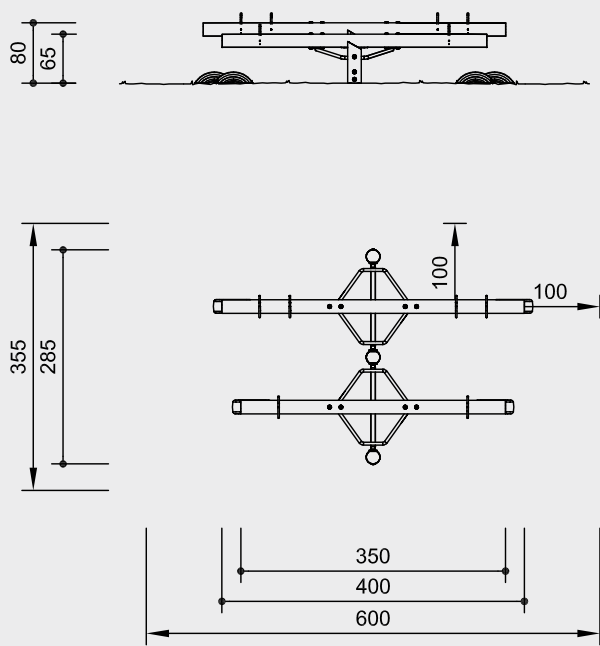
Order No. 6.11600 Beam See-saw



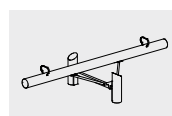
Order No. 6.11610 Double See-saw



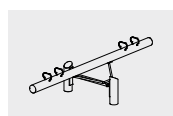
Order No. 6.11620 Twin See-saw



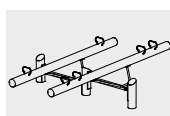
Safety check according to EN 1176



6.11600



6.11610



6.11620

Technical information

See-saw beam de-barked, of non-impregnated mountain larch

de-barked beam

See-saw beam de-barked, Ø 18 - 21 cm



1

relief cut

parts which are not core-free have a kerf sawn at a suitable section of the trunk to pre-empt cracks that would form naturally or a bore hole as relief



46

support posts of robinia, Ø 15 - 18 cm

See-saw mechanism with rubber buffers, lacquered, standard colour blue

grips of stainless steel, glass bead blasted

Dimensions

(small deviations possible)

Order No. 6.11600 Beam See-saw

max. See-saw height	1.35 m
length	3.50 m
width	1.50 m
weight	120 kg

Order No. 6.11610 Double See-saw

max. See-saw height	1.35 m
length	4.00 m
width	1.50 m
weight	140 kg

Order No. 6.11620 Twin See-saw

max. See-saw height	1.35 m
length	3.50 or 4.00 m
width	2.85 m
weight	250 kg

Components

- 1 or 2 See-saw beams with grips
- 1 or 2 See-saw mechanism(en)
- 2 or 3 support posts

Tyres as additional shock absorbers on site.

Installation information

Surfacing requirements corresponding to a fall height of ≤ 1.50 m (please refer to price list for more detailed information)

Foundations

Order No. 6.11600

2 items 60 x 60 x 60 cm excavation depth 80 cm

Order No. 6.11610

2 items 60 x 60 x 60 cm excavation depth 80 cm

Order No. 6.11620

3 items 60 x 60 x 60 cm excavation depth 80 cm

Attention:

Exact measurements may vary, for all installation dimensions refer to current installation instructions. Technical changes reserved.

For more detailed explanation of the quality characteristics see price list.