

**Play value**

The equipment becomes a real whirlwind when the disc unwinds after having been wound up by the ropes. The return force is dependent on the winding force. With their physical strength, older children can achieve an impressive effect while younger children rotate more gently, depending on their skills. The most courageous ones can hold on to the metal grip ring and fly around the mast in carousel fashion. Communication and cooperation deepen the play experience.

**Fundamental characteristics**

- unique and original
- A freewheel mechanism with a ratchet-type lock allows the energy generated by the winding motion to be stored and provides great fun when unwinding in the opposite direction.
- incentive for playing: suspended disc, grip ring
- exercise activity: physical effort, rotating

**Suitable**

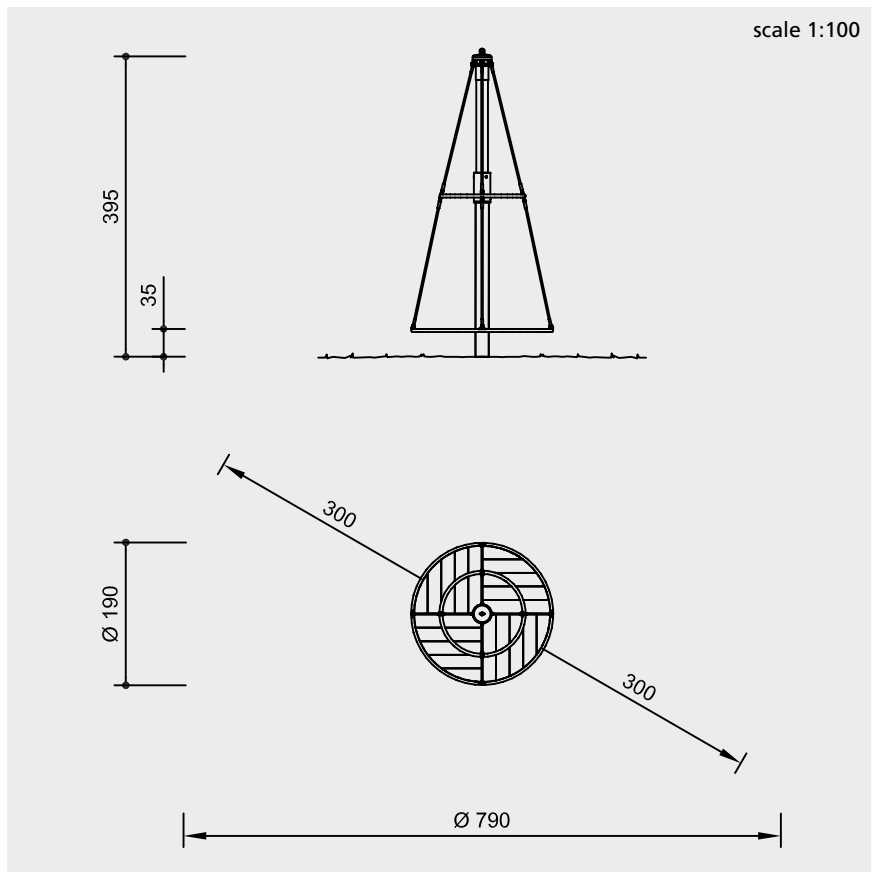
- for children from 8 years of age and young people
- for public playgrounds
- leisure areas
- open-air swimming pools
- youth centres



**Whirlwind**



6.10500



safety check according to EN 1176

**Components**

- 1 mast with rotating floor and 8 ropes
- 1 foundation frame

**Installation information**

Surfacing requirements corresponding to a fall height of  $\leq 1.00$  m  
 Recommendation: fall height of  $\leq 1.50$  m  
 (please refer to price list for more detailed information)

Foundations  
 1 item 120 x 120 x 50 cm  
 excavation depth 80 cm  
 to be steel-reinforced on site (not included)

**Attention:**  
**Exact measurements may vary; for all installation dimensions refer to current assembly instructions.**  
 Technical changes reserved.

**Technical information**

hot-dip galvanised steel construction  
 floor surfacing of non-impregnated mountain larch, 40 mm

**core-free timber**  
 timbers core-free, thus decreasing occurrences of cracking



expanding and shrinking of the planks is reduced by relief cuts applied to the underside

**Corocord® rope special ropes of "Hercules type"**  
 suspensions made of six-strand Corocord® rope of the special "Hercules type", abrasion-protected through heating of the six steel strands and melting the polyester sleeve onto them, standard colour red



**aluminium swages**  
 double-conical aluminium swages with rounded-off ends



**universal joint**  
 drop-forged, hot-dip galvanised joint yoke; the universal joint insert consists of two swing bearings



**brass bush**  
 for all to and fro movements we use sintered metal bearings which allow for self-lubrication while in use and are easy to exchange if required



**ball bearings**  
 rotation of suspension enabled by low-maintenance ball bearings



pivoted mast top with freewheel mechanism ensuring that the ropes can wind up in only one direction

foundation frame made of steel

**Dimensions**  
 (small deviations possible)

height	3.95 m
diameter	1.90 m
mast tube	140 x 8 mm
weight	280 kg

Please refer to the price list for a more detailed explanation of the quality characteristics.



6.10500