

**Function and Play value**

With its surprising range of movement, the Swing Scales can enrich nearly any play area. The children themselves become pendulum weights and in this way they can discover physical phenomena such as balancing by playing. With the Scales Swing, children can sway gently or have fun with wilder, more energetic movement. That is why this equipment is also suitable for older children. The swing promotes communication and body awareness.



Order No. L6.10200 Swing Scales



Copyright © Richter Spielgeräte GmbH 10/15

**Fundamental characteristics**

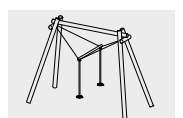
- unique and original
- incentive for playing:  
suspended swinging device
- movement: see-sawing, wobbling, swinging, swaying

**Swing Scales**

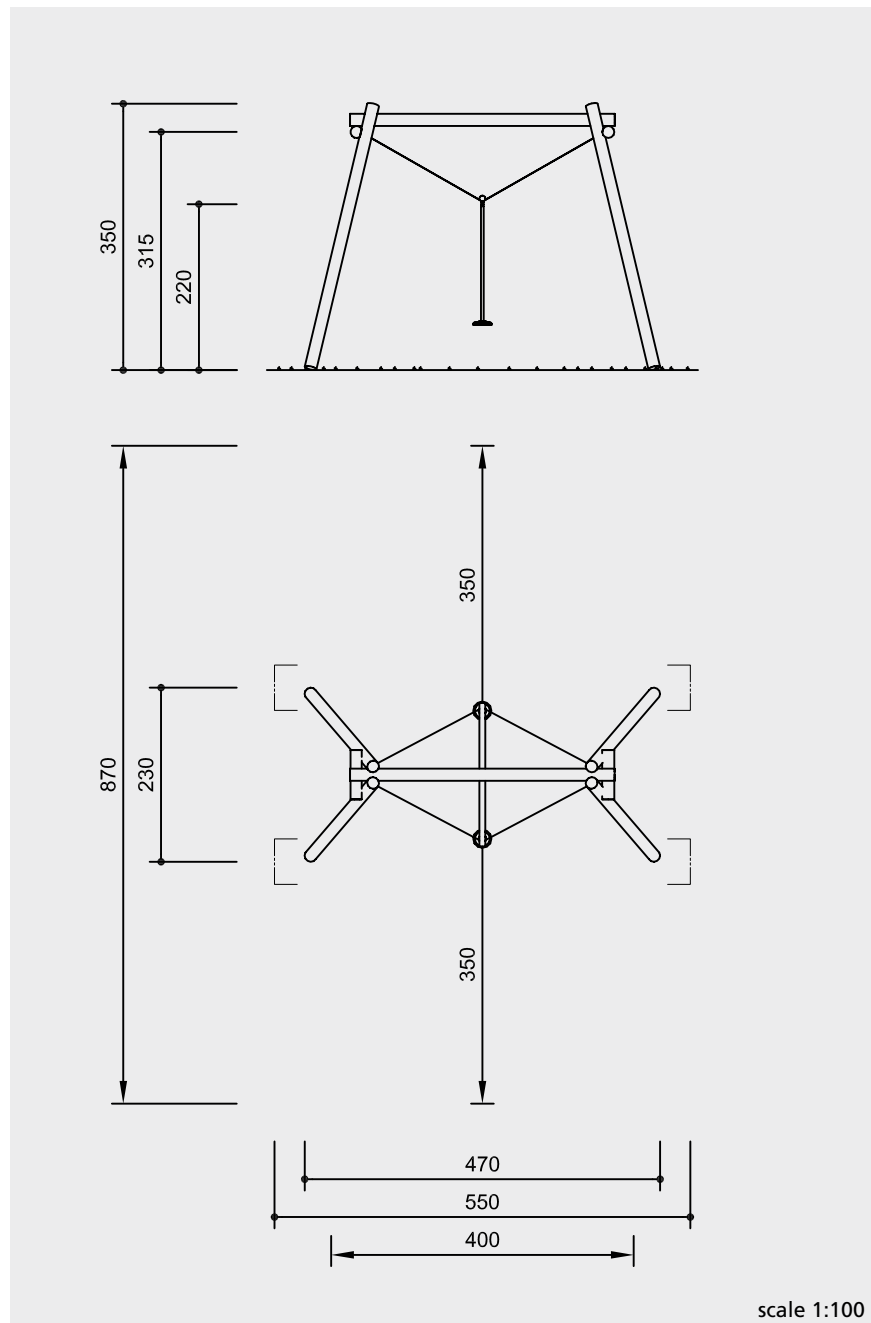
**Suitable**

- for children from 6 years and young people
- public playgrounds
- youth centres
- leisure areas
- outdoor swimming pools
- parks

Design P. Hannes



6.10200



Safety check according to EN 1176

### Components

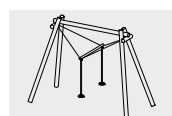
- 2 support frames
- 1 cross beam
- 1 round pole with fittings
- 2 pendulum seats
- 2 ropes

### Installation information

Surfacing requirements corresponding to a fall height of  $\leq 1.50$  m (for more detailed information see price list)

Foundations  
4 items 60 x 60 x 60 cm  
excavation depth 80 cm

**Attention:**  
**Exact measurements may vary, for all installation dimensions refer to current installation instructions.**  
Technical changes reserved.  
**Equipment also available with steel feet or made of larch with steel feet.**



6.10200

### Technical information

#### de-barked

de-barked posts,  $\varnothing$  15 - 18 cm, of spruce/fir, boiler pressure impregnated according to DIN 68800-3, use class 4



#### perforated

the earth/air zone of the wood is perforated by small bore holes to ensure that the impregnating agent penetrates this particularly endangered zone



#### pendulum seat

with large rubber surface, with a soft, protecting edge and steel insert



#### Corocord® rope

##### special ropes of "Hercules type"

see-saw construction made of 19 mm six-strand Corocord® rope of the special "Hercules type", abrasion protected through heating of the six steel strands and melting the polyester sleeve onto them, standard colour red



#### universal joint

drop-forged and hot-dip galvanised joint yoke; the universal joint insert consists of two swing bearings



#### brass bush

for all to and fro movements we use bush bearings which allow for self-lubrication while in use and which can be easily exchanged in case of need



#### chains

suspended on short-link chains, 6 mm, welded before hot-dip galvanisation (stainless steel chains available on request)



### Dimensions

(small deviations possible)

height	3.50 m
length	4.70 m
width	2.30 m
weight	360 kg

For more detailed explanation of the quality characteristics see price list.