

**Play value**

The Bouncing Flower is a movement possibility which is great fun, especially when used by several participants. It is easy to enjoy whether jumping and hopping in the same rhythm or even against the rhythm of one's neighbour. The mobile "petals" on the jumping flower are fixed by means of hinges to the centre. Each "petal" can bounce up and down thanks to springs.

**Fundamental characteristics**

- unique and original
- agreeable design
- wooden surface with natural structure for a good grip
- incentive for playing: "petals", springs
- movement: jumping up and down, jumping off, hopping

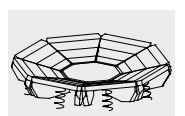
**Suitable**

- for children from 4 years
- for public playgrounds
- institutions for children
- parks
- outdoor swimming pools
- as play offer alongside paths

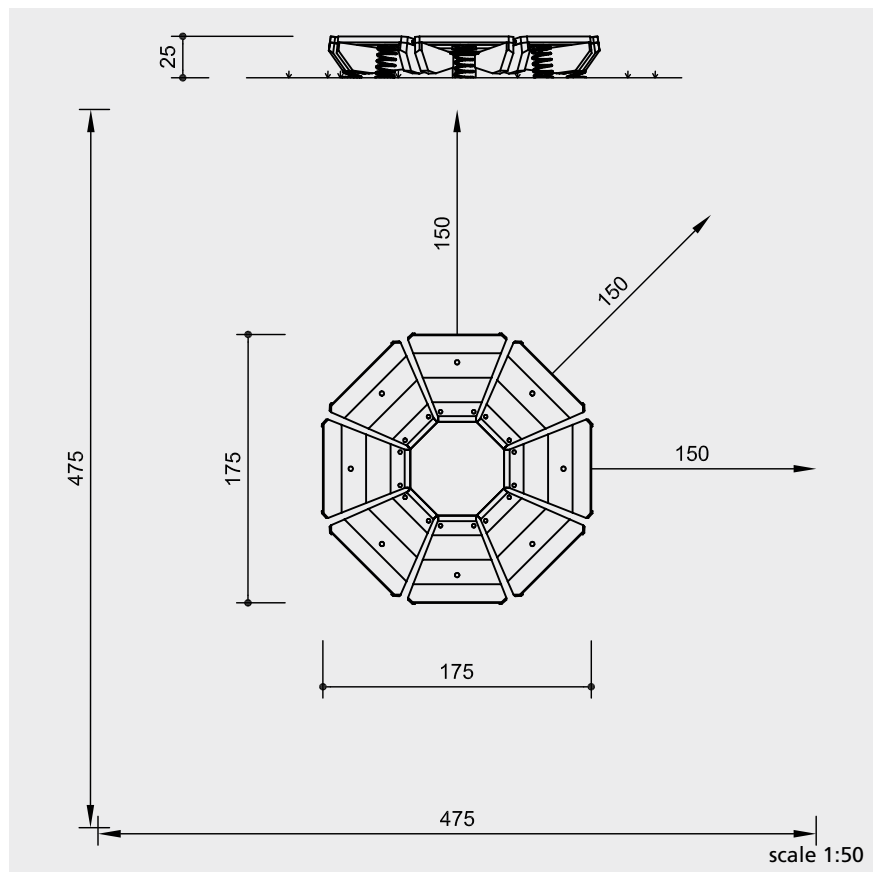


Photo by Daniel Perales

**Bouncing Flower**



6.06500



Safety check according to EN 1176

**Components**

- 1 equipment item with 8 segments mounted on springs
- 1 foundation frame

**Installation information**

Surfacing requirements corresponding to a fall height of  $\leq 0,60$  m (please refer to price list for more detailed information)

Foundations  
 foundation frame for 8 foundations  
 30 x 30 x 40 cm each  
 excavation depth 50 cm

**Attention:**  
**Exact measurements may vary, for all installation dimensions refer to current installation instructions.**  
 Technical changes reserved.

**Technical information**

equipment of non-impregnated mountain larch

**core-free**  
 sawn timbers are core-free, by that formation of cracks can be reduced



**tongue and groove**  
 boards of segment tops of 40 mm tongue and groove boarding



**brass bush**  
 for all to and fro movements we use bush bearings which allow for self-lubrication while in use and which can be easily exchanged in case of need



**ground anchor**  
 all parts used for anchoring to the ground made of hot-dip galvanised steel



coated springs, standard colour red

centre plate of fluted metal sheet, hot-dip galvanised

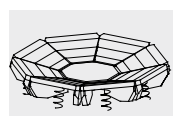
supporting frame hot-dip galvanised

**Dimensions**

(small deviations possible)

height	0.30 m
diameter	1.75 m
weight	260 kg

For more detailed explanation of the quality characteristics see price list.



6.06500