



Function and Play value

The Open Slide only works if it is constructed like a bobsleigh track. Above all, this means that extended sides, in particular in the curves, must be specially constructed. This fully stainless steel mould provides a safe design which guarantees sliding fun. The long descent makes it attractive for people of all ages.

Fundamental characteristics

- soft shape
- high-quality design
- incentive for playing: long descent
- movement: sliding, climbing

Suitable

- for children from 3 years
- for public playgrounds
- leisure areas



Order No. 3.65200 Slide Support with Steps width 0.45 m

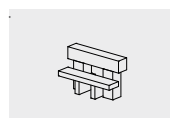
Planning information

Open Slides need to be planned individually taking into consideration the topographic situation. For working out a planning proposal we require a landscaping plan with height indications from your side.

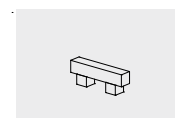
Note on installation

The orientation of the slide to the South has to be avoided because of heating up of the material.

**Open Slides
Slide supports**



3.65200 - 3.65400



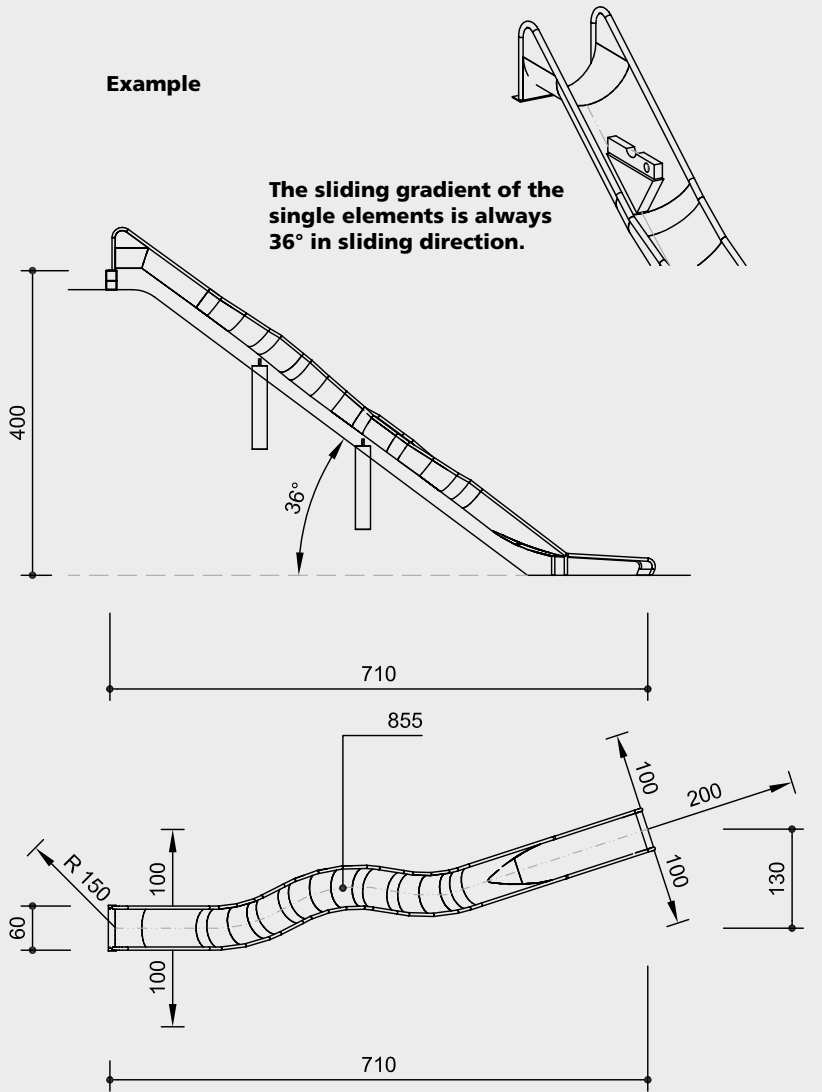
3.65250 - 3.65450



3.67000

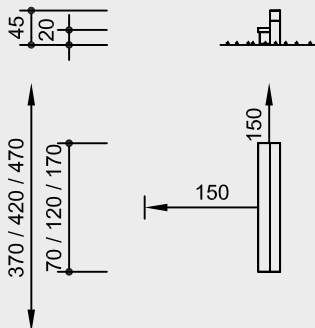
Example

The sliding gradient of the single elements is always 36° in sliding direction.

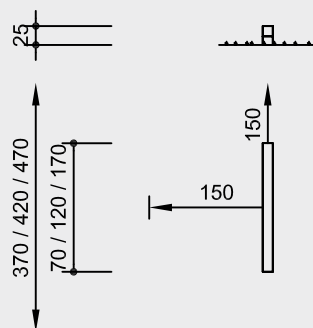


scale 1:100

**Order No. 3.65200 - 3.65400
Slide Support with Steps**

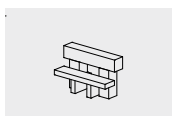


**Order No. 3.65250 - 3.65450
Slide Support**

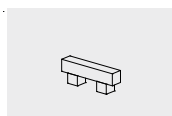


scale 1:100

Safety check according to EN 1176



3.65200 - 3.65400



3.65250 - 3.65450



3.67000

Order No. 3.67000 Open Slide

Technical information

moulds of the Open Slides consist of 2.5 mm stainless steel metal, welded with inert gas double sided, gapless handrail of 42 mm stainless steel tubing

ground anchor

all parts used for anchoring to the ground made of hot-dip galvanised steel



Dimensions

(small deviations possible)
Length according to arrangement of elements or according to topography and fixing height
width 0.60 m
weight 20 kg/m

Components

Number and length of supports depending on shape of slide and topographic situation; depending on transport capacity one-piece construction or split (with screwable connecting flange)

Installation information

Surfacing requirements depending on installation situation, in the run-out area we recommend material such as sand (please refer to price list for more detailed information)

Foundations

per support 1 item 80 x 80 x 40 cm excavation depth 80 cm
run-out 2 or 3 items 50 x 70 x 40 cm excavation depth 80 cm

Attention:

These slides are specially produced designs. The accompanying drawings must be adhered to.
Technical changes reserved.

Order No. 3.65200 - 3.65450

Slide Supports

posts of oak heartwood, traverse and steps of non-impregnated mountain larch

core-free timber

sawn timbers core-free, by that formation of cracks can be reduced



Dimensions

(small deviations possible)
width 0.70 m/1.20 m/1.70 m
with step 0.45 m
without step height depending on installation depth, 0.15 - max. 0.25 m
weight 75 - 140 kg
Components 1 part each

Installation information

Surfacing requirements depending on installation situation

Foundations:

Order No. 3.65200/3.65250

1 item 50 x 90 x 50 cm excavation depth 70 cm

Order No. 3.65300/3.65350/3.65400/

3.65450: 2 items 50 x 50 x 50 cm, excavation depth 70 cm

Attention:

Exact measurements may vary, for all installation dimensions refer to current installation instructions.
Technical changes reserved.

Slide support also available in steel.

For more detailed explanation of the quality characteristics see price list.