

Function

The Marbles Table can be compared to the popular "Mouse hunt". By moving the marbles table you can drop the marbles in the holes. Skill and coordination are called for, especially if this game is being played by several people.

Barrier-free

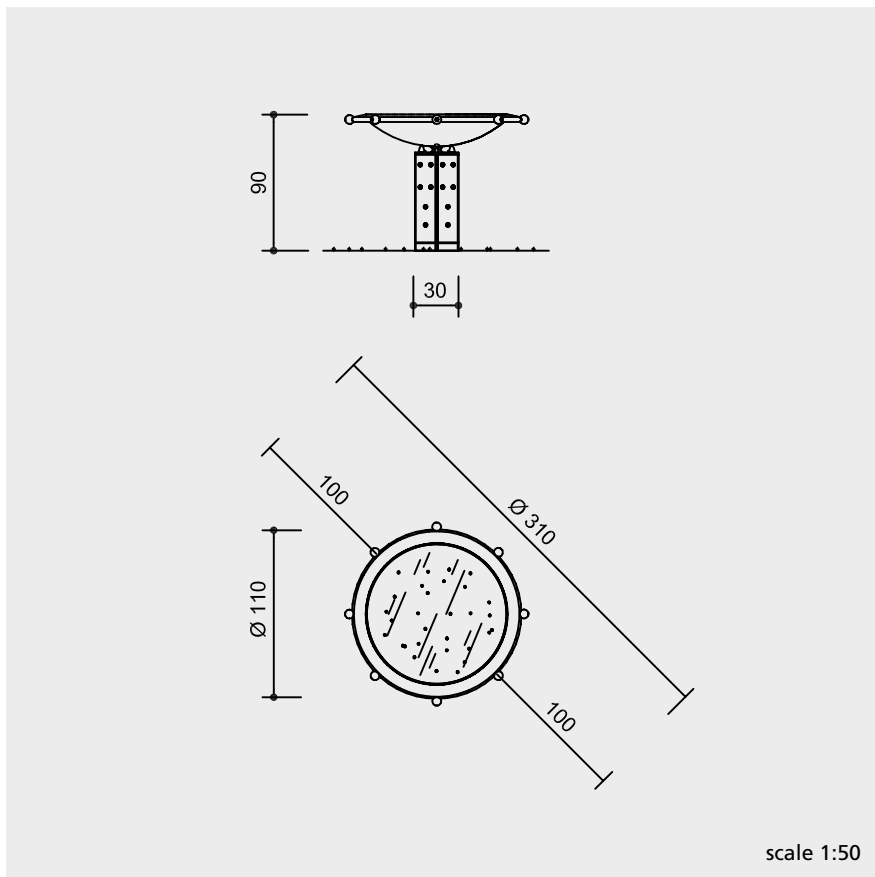
- independent play



Marbles Table



11.01500



Safety check according to EN 1176

Components

- 1 marbles table
- 1 support post including
- 4 foundation anchors

Installation information

- Surfacing
no requirements
- Foundations
1 item 60 x 70 x 40 cm
excavation depth 60 cm

Attention:
Exact measurements may vary, for all installation dimensions refer to current installation instructions.
Technical changes reserved.

Technical information

core-free timber

sawn timbers of non-impregnated mountain larch, core-free, thus decreasing the occurrence of cracking



adjustable

no projecting threads after re-tightening due to two-piece bolt connection and therefore easy to maintain



ground anchor

guidance plate for marbles and foundation anchor made of phenol resin paper based laminate



sandwich construction frame, oiled, non-positive fitting

dish made of stainless steel, glass bead blasted

cover made of single-pane safety glass, 10 mm

marbles Ø 25 mm made of POM (18 pieces)

support made of rubber buffers for controlled rocking movement

handle balls made of polyamide

Dimensions

(small deviations possible)

height	0.90 m
diameter	1.10 m
weight	180 kg

For more detailed explanation of the quality characteristics see price list.



11.01500