

**Function and Play value**

Water play facilities which are not installed in natural surroundings using the typical design elements, become interesting by other special features. The Rotating Conveyor with its technical appearance scoops water, pours the water in differently shaped containers which get filled one after the other, like a cascade, and finally lets the water flow down. Water can be experienced in a lively, steadily changing form. The Tipper Trays can also be combined with other water scooping elements.



**Fundamental characteristics**

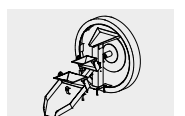
- unique and original
- high-quality metal construction
- exclusive design
- incentive for playing: large wheel
- movement: physical effort

**Suitable**

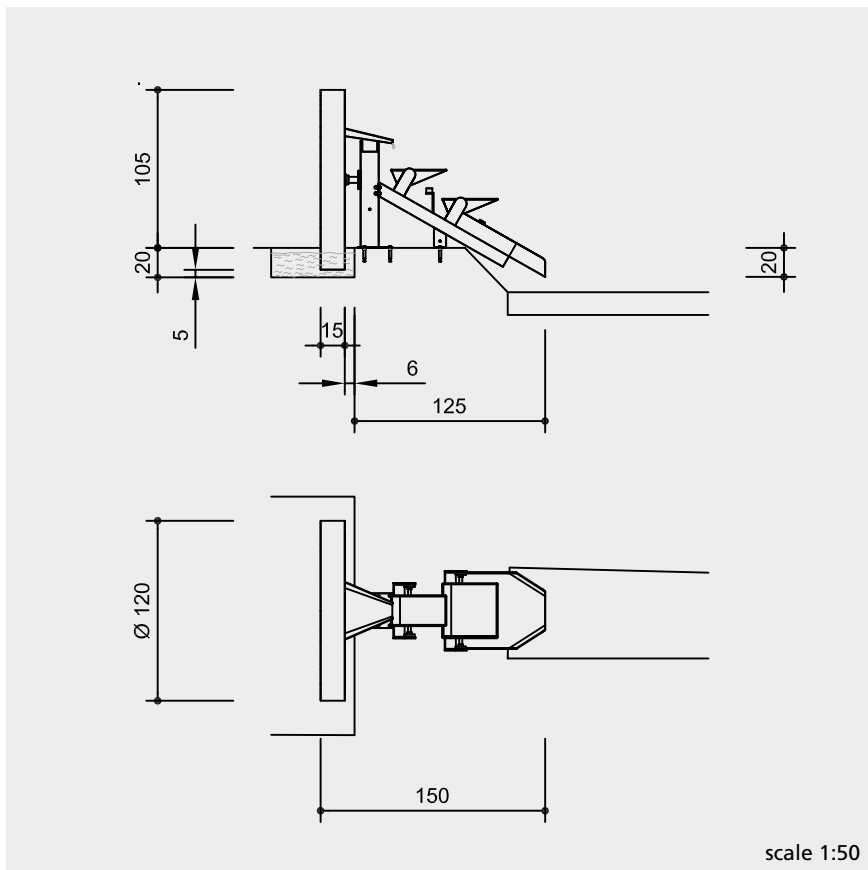
- for children from 4 years
- for public play areas
- parks
- leisure parks
- outdoor swimming pools

**Barrier-free** - independent play

**Rotating Conveyor with Tipper Trays**



5.20850



**Technical information**

Total equipment made of stainless steel, glass bead blasted

**ball bearing**

all rotating parts with low-maintenance, easily replaceable ball bearings



**Dimensions**

(small deviations possible)

length	1.50 m
diameter	1.20 m
weight	130 kg

For more detailed explanation of the quality characteristics see price list.

Safety check according to EN 1176

**Components**

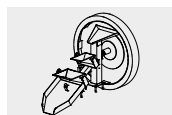
- 1 Rotating Conveyor with run out
- 1 gutter element with 2 Tipper Trays

**Installation information**

- Surfacing requirements  
no fall height according to standard
- Water depth: for a proper function a min. water depth of 16 cm is required.
  - Water supply and water basin have to be provided for on site.

Foundations  
Support posts with flanges for fixation with screws.

**Attention:**  
Exact measurements may vary, for all installation dimensions refer to current installation instructions.  
Technical changes reserved.  
**For use in chlorine water the equipment is also available with a special steel alloy.**



5.20850