



Order No. 5.15820 Mill Wheel of metal

Function and Play value

It is attractive both for children and older people to put something into motion by means of visible power. When it is possible to change this power by mechanical influence, the attraction is even greater. The element of water as a power source is of great importance. Therefore, water wheels are always an important component of a water play installation. Both Mill Wheels are propelled by the weight of the water. However, it is important to know about the clearly visible and recognisable relationship and to have the possibility to change something.

Fundamental characteristics

- unique by its original mill wheel design
- incentive for playing: recognition

Suitable

- for children from 3 years
- for all water play areas on playgrounds and adventure playgrounds

Barrier-free - independent play

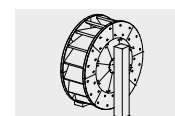


Mill Wheel of wood
Mill Wheel of metal

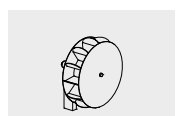


Copyright © Richter Spielgeräte GmbH 10/15

Design G. Beltzig

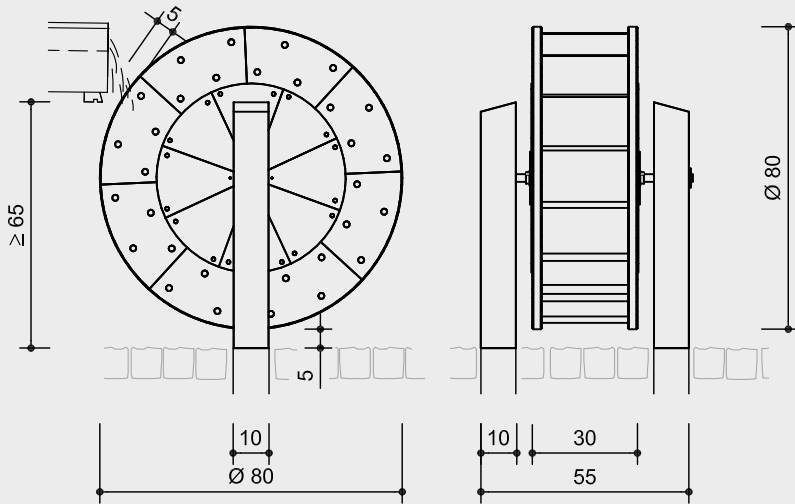


5.15810

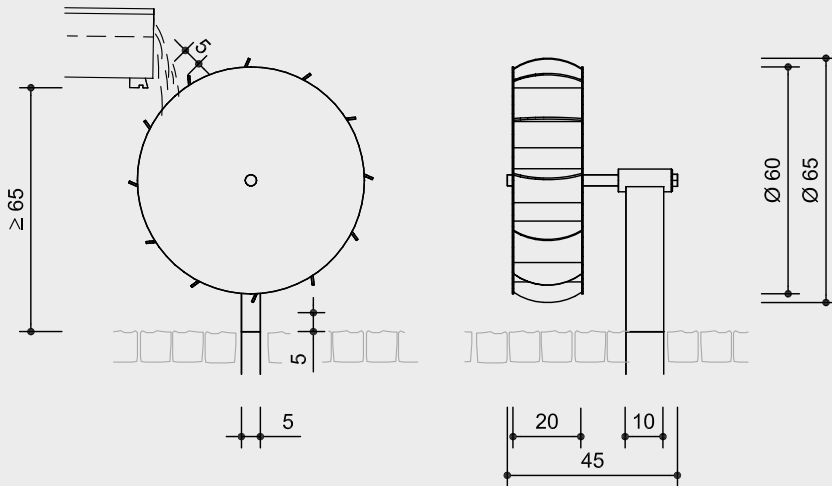


5.15820

Order No.
5.15810 Mill Wheel of wood



Order No.
5.15820 Mill Wheel of metal



scale 1:20

Safety check according to EN 1176

Technical information

Order No. 5.15810 Mill Wheel

core-free timber

sawn timbers of non-impregnated mountain larch, core-free, by that formation of cracks can be reduced, support posts made of oak heartwood 10/10 cm

ball bearing

low-maintenance, easily replaceable ball bearings

craftsman-like water wheel construction with grooved and slitted wood connections

shaft, hub and hoop of stainless steel, glass bead blasted

Dimensions

(small deviations possible)

height	0.85 m
width	0.55 m
diameter of wheel	0.80 m
weight	50 kg

Order No.

5.15820 Mill Wheel of metal

whole equipment of stainless steel, glass bead blasted, for use in chlorine water there is also a special steel alloy available, thickness of material 3 mm easy-grip contact surfaces

ball bearing

low-maintenance, easily replaceable ball bearings

Dimensions

(small deviations possible)

height	0.70 m
width	0.45 m
diameter of wheel	0.65 m
weight	27 kg

Components

1 part each

Installation information

Surfacing requirements

Recommendation: sand with drainage or paving stone with gully and a corresponding surface design; The Mill Wheels are only designed for overshot operation. Please refer to drawing for required minimum height difference.

Foundations

Order No. 5.15810

Mill Wheel of wood

1 item 50 x 90 x 50 cm excavation depth 70 cm

Order No. 5.15820

Mill Wheel of metal

1 item 50 x 50 x 50 cm excavation depth 70 cm

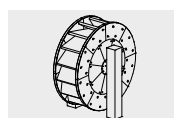
Attention:

Exact measurements may vary, for all installation dimensions refer to current installation instructions.

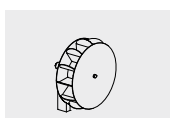
Technical changes reserved.



For more detailed explanation of the quality characteristics see price list.



5.15810



5.15820