

Play value

A number of different aspects contribute to the appeal of a play offer. One of the most important factors is its appearance. If the design is appropriate and appealing to children, this acts as a stimulus for them to play with it. The attractive design of the lion lends a special flair to every play location. The basic version of Lion Leo includes a table and four stools, a climbing wall, an inclined climbing net, a fireman's pole and a climbing rope.



Copyright © Richter Spielgeräte GmbH 10/15

Fundamental characteristics

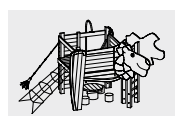
- high-quality design
- coloured elements, eye-catcher
- very special appeal
- versatile opportunities for combination
- rooms for play inside
- incentive for playing: climbing grips, friendly face
- movement: climbing, role-playing

Suitable

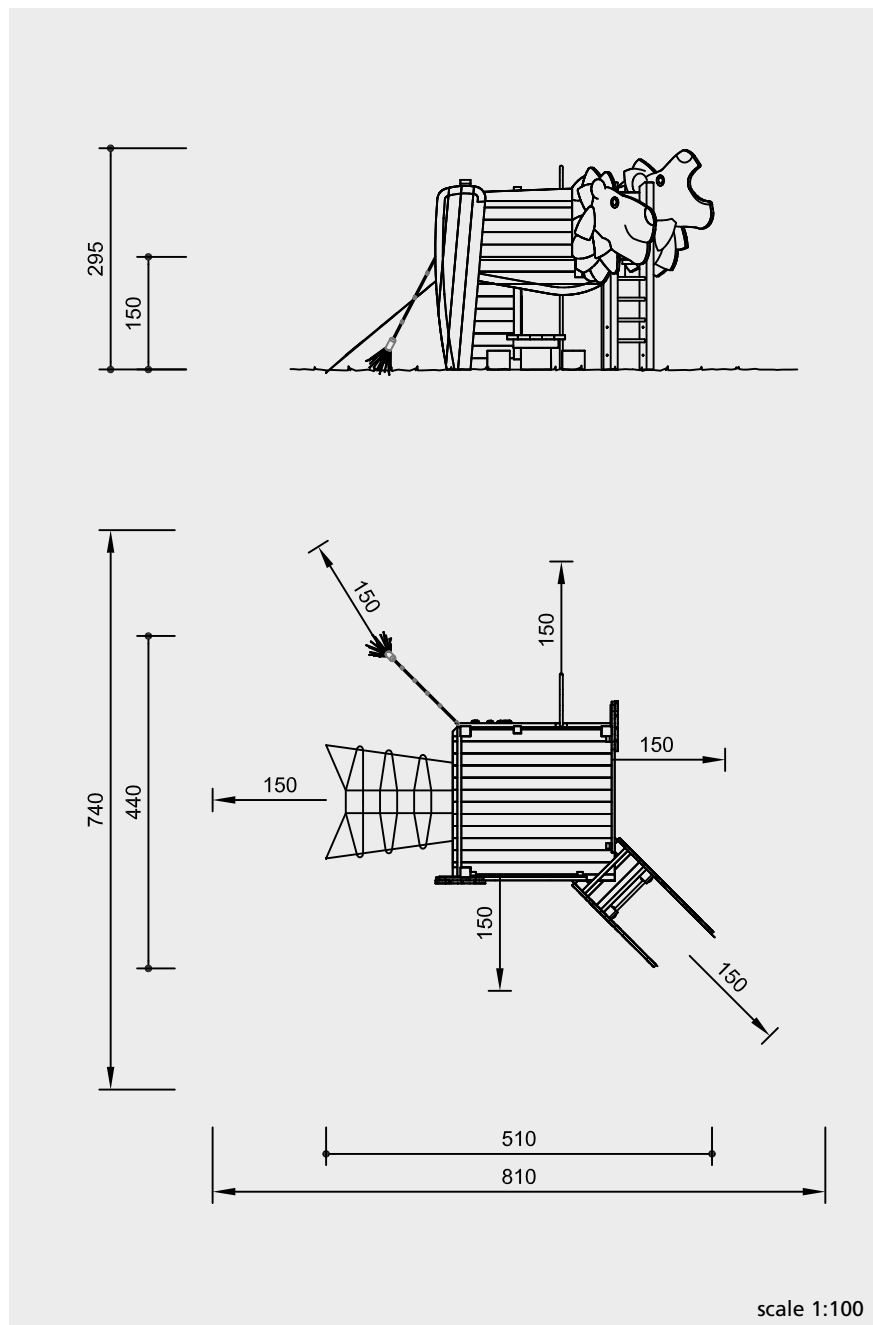
- for children from 3 years
- for playgrounds situated near houses kindergartens public playgrounds

Lion Leo

Design: F. Dorband/K. H. Thiele



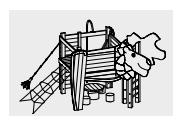
4.90040



Safety check according to EN 1176

Components

- 1 platform in the shape of a lion, coloured design according to picture
- 6 steel feet
- 1 ladder
- 1 inclined climbing net
- 1 bent fireman's pole
- 1 tail as climbing rope
- 1 climbing wall
- 1 round table with foundation irons
- 4 stools with foundation irons



4.90040

Installation information

Surfacing requirements corresponding to a fall height of ≤ 1.50 m (please refer to price list for more detailed information)

Foundations

Platform
6 items 60 x 60 x 60 cm
excavation depth 80 cm

Net
2 items 50 x 50 x 40 cm
excavation depth 80 cm

Bent fireman's pole
1 item 30 x 30 x 30 cm
excavation depth 60 cm

Climbing rope
1 item 60 x 60 x 60 cm
excavation depth 100 cm

Table
1 item 50 x 50 x 20 cm
excavation depth 40 cm

Stool
4 items 40 x 30 x 20 cm
excavation depth 40 cm

Technical information

equipment of non-impregnated mountain larch

core-free

all timber made, core-free, thus decreasing the occurrence of cracking



tongue and groove

platform floor made of 40 mm tongue and groove boarding



hardwood rungs

climbing rungs of hardwood, milled and mortised, Ø 42 mm



Corocord@rope

special ropes of "Hercules type"
climbing net made of 19 mm six-strand Corocord@ rope of the special "Hercules type", abrasion-protected through heating of the six steel strands and melting the polyester sleeve onto them, standard colour red



aluminium swages

double-conical aluminium swages with rounded-off ends



S-clamps

neatly rounded Corocord@ S-clamps made of stainless steel, Ø 8 mm



rope connection with joint

close fitting connection without dangerous openings; the bearing consists of one brass bush



ground anchor

all parts used for anchoring to the ground made of hot-dip galvanised steel



bent fireman's pole Ø 42 mm, made of stainless steel, glass bead blasted

professional climbing grips made of a mixture of sand/synthetic resin with 100% safe anti-rotation system against unintended twisting of the grips

colour

solvent-free acrylic paints are used for colouring; the wood is painted in a way which allows the structure of the wood to remain clearly visible

Dimensions

(small deviations possible)

length	5.10 m
width	4.40 m
height	2.95 m
floor height	1.50 m
floor size	2.00 x 2.00 m
weight	750 kg

Attention:

Exact measurements may vary, for all installation dimensions refer to current installation instructions.
Technical changes reserved.

For more detailed explanation of the quality characteristics see price list.