



**Play value**

Playing with sand has a very stimulating quality, which is why it should not be missing from any small children's area. And if there is also water available children can splash and mix away, make sandcastles and "bake cakes".



*Sun sail see Order No. 4.24309 in the price list*

**Fundamental characteristics**

- child-oriented dimensions
- natural wooden surface which appeals to the senses

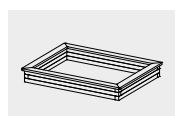
**Sand Box**

**Suitable**

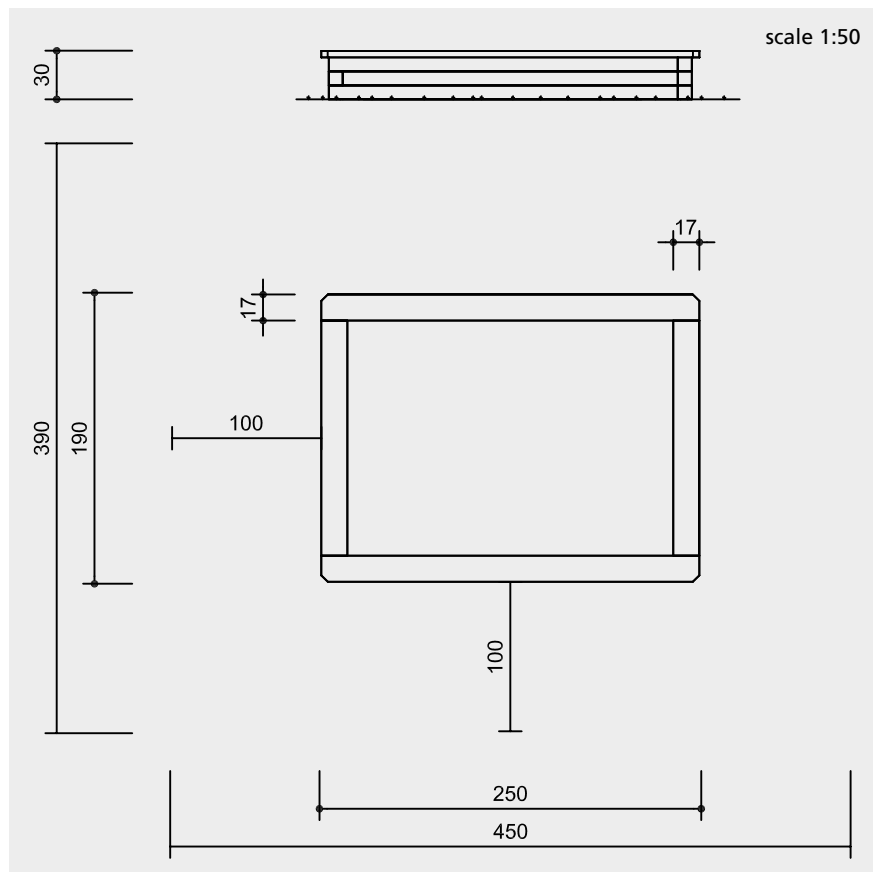
- for small children's areas of: playgrounds situated near houses kindergartens
- nurseries

**Barrier-free**

- with a carer
- independent play



**4.24305**



Safety check according to EN 1176

**Components**

- 1 sand box
- 2 ground anchors

**Installation information**

Surfacing requirements  
no requirements  
Sand is required for correct functioning.

Foundations  
(only necessary in order to immobilise the equipment)  
2 ground anchors are included for fastening in the ground.

**Attention:**  
**Exact measurements may vary, for all installation dimensions refer to current installation instructions.**  
Technical changes reserved.

**Technical information**

equipment of non-impregnated mountain larch

**core-free**  
sawn timbers core-free, thus decreasing the occurrences of cracking



**ground anchor**  
all parts used for anchoring to the ground made of hot-dip galvanised steel

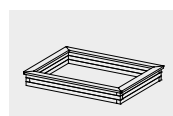


**Dimensions**

(small deviations possible)

height	0.30 m
length	2.50 m
width	1.90 m
weight	160 kg

For more detailed explanation of the quality characteristics see price list.



4.24305