

Play value

The Castle Tower looks just like an old fortified tower and is a meeting point for older children and young people. It is crowned with a battlement and can be combined with other equipment. It can be combined particularly well with slides but other combinations are also possible. A ladder leads up to a two-metre-high floor, topped with a castle flag. A round bench in the lower area is an inviting place to sit for a while. With its striking appearance, the Castle Tower has a signal effect and lends a special atmosphere to every playground.



This picture shows a special version without the battlement.

Fundamental characteristics

- unique and original striking appearance
- eye-catcher
- observation slits

Suitable

- for children from 5 years
- for public playgrounds
- leisure areas
- school playgrounds
- outdoor swimming pools

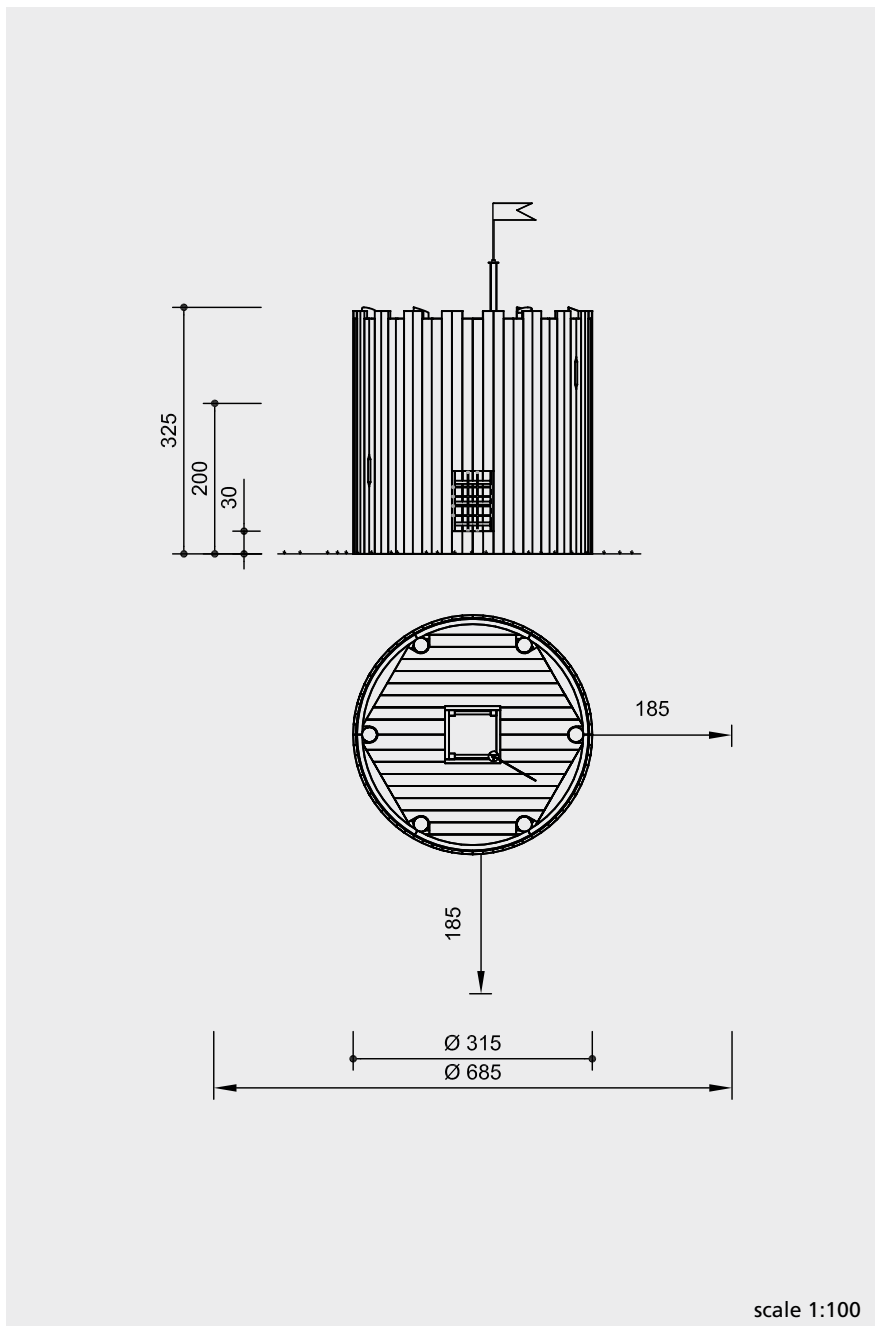
Castle Tower

© Richter Spielgeräte GmbH 10/15

Design and Copyright



3.22000



Safety check according to EN 1176

Technical information

equipment of non-impregnated mountain larch

de-barked posts
de-barked posts, Ø 18 - 21 cm



core-free timber
sawn timbers are core-free, by that formation of cracks can be reduced



tongue and groove
floor of 40 mm tongue and groove boarding



hardwood rungs
climbing rungs of hardwood, milled and mortised, Ø 42 mm



Corocord® rope
special ropes of "Hercules type"
rope windows of six-strand Corocord® rope of the special "Hercules type", abrasion-protected through heating of the six steel strands and melting the polyester sleeve onto them, standard colour natural



ground anchor
all parts used for anchoring to the ground made of hot-dip galvanised steel



Dimensions
(small deviations possible)

height	3.25 m
floor height	2.00 m
diameter	3.15 m
weight	1500 kg

For more detailed explanation of the quality characteristics see price list.

Components

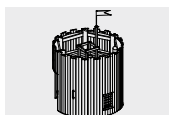
- 3 support frames
- 2 floor halves
- 1 ladder with flag
- 6 facade elements
- 2 rope windows

Installation information

Surfacing requirements corresponding to a fall height of ≤ 2.00 m (please refer to price list for more detailed information)

Foundations
6 items 60 x 60 x 60 cm excavation depth 80 cm
4 items 30 x 30 x 30 cm excavation depth 50 cm

Attention:
Exact measurements may vary, for all installation dimensions refer to current installation instructions.
Technical changes reserved.



3.22000