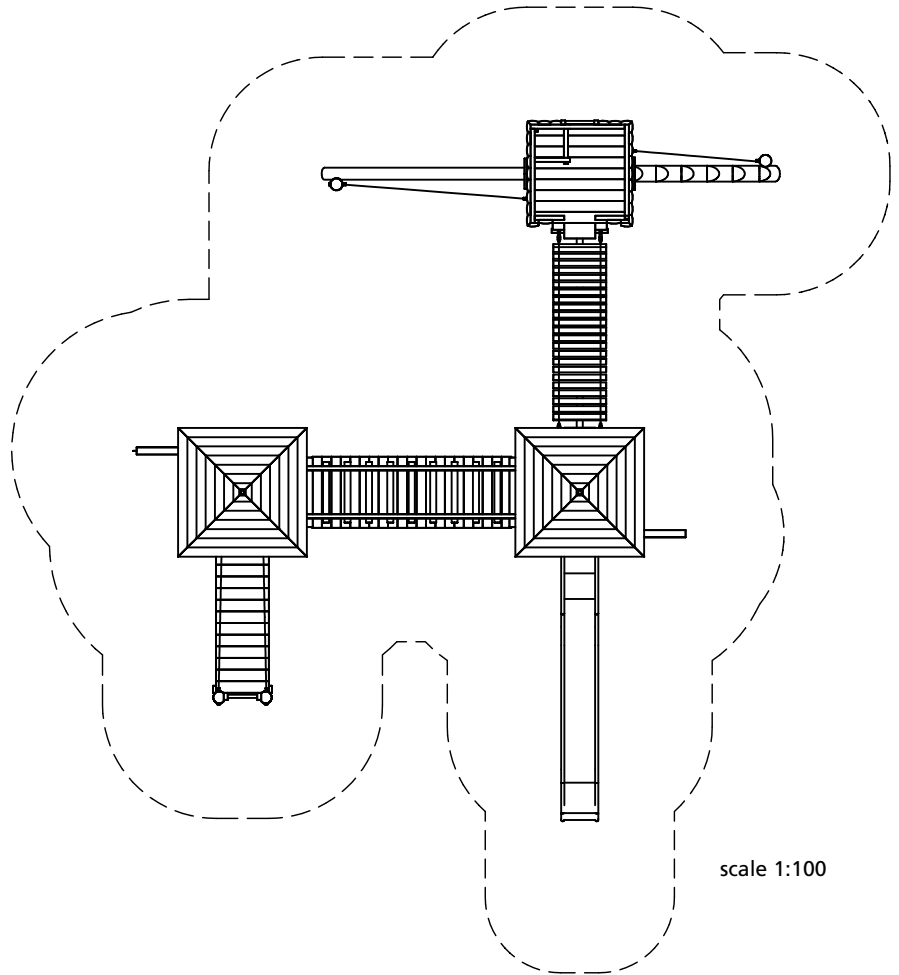


Tower Combination 54
Order No. 2.54000

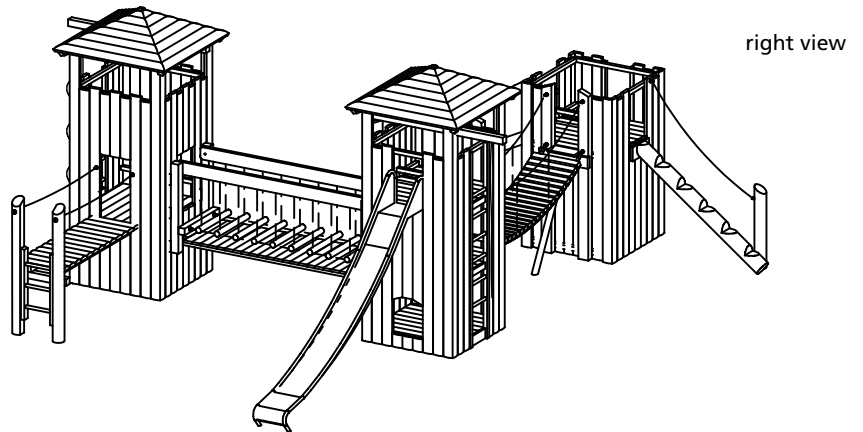
Required space incl. safety distance
 12.80 x 11.60 m

Components

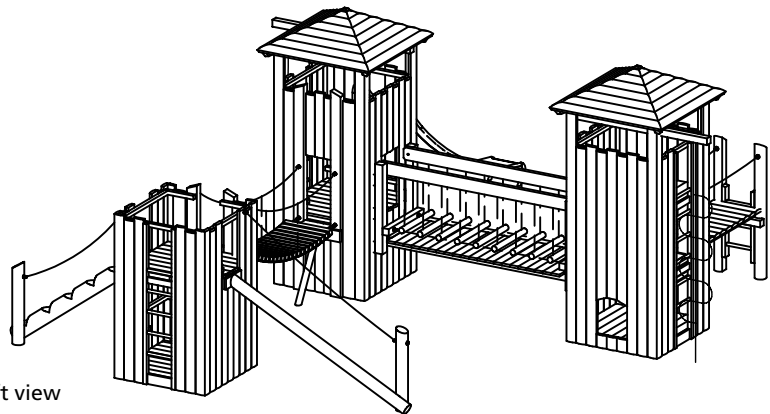
	Order No.
1 Square Tower	3.20500
1 Climbing Trunk with chain handrail	3.69510
1 Inclined Balancing Beam with chain handrail	3.68300
1 Support Frame for suspension bridge	3.66005
1 Support Frame for suspension bridge	3.66045
1 Suspension Bridge 3.00 m with chain handrails	3.66090
2 Square Towers with roof	3.20600
1 Climbing Ladder with beam	3.69410
1 Swing Rope with beam	3.69450
2 Fastening Frames for Chain Path	3.66240
1 Chain Path 3.00 m with safety board	3.66260
1 Support Frame for bridge	3.66350
1 Bridge 2.00 m with chain handrail	3.66420
1 End Frame with ladder	3.66387
1 Stainless Steel Slide with ground anchor attachment height 2.00 m	3.63420



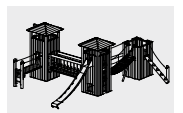
scale 1:100



right view



left view



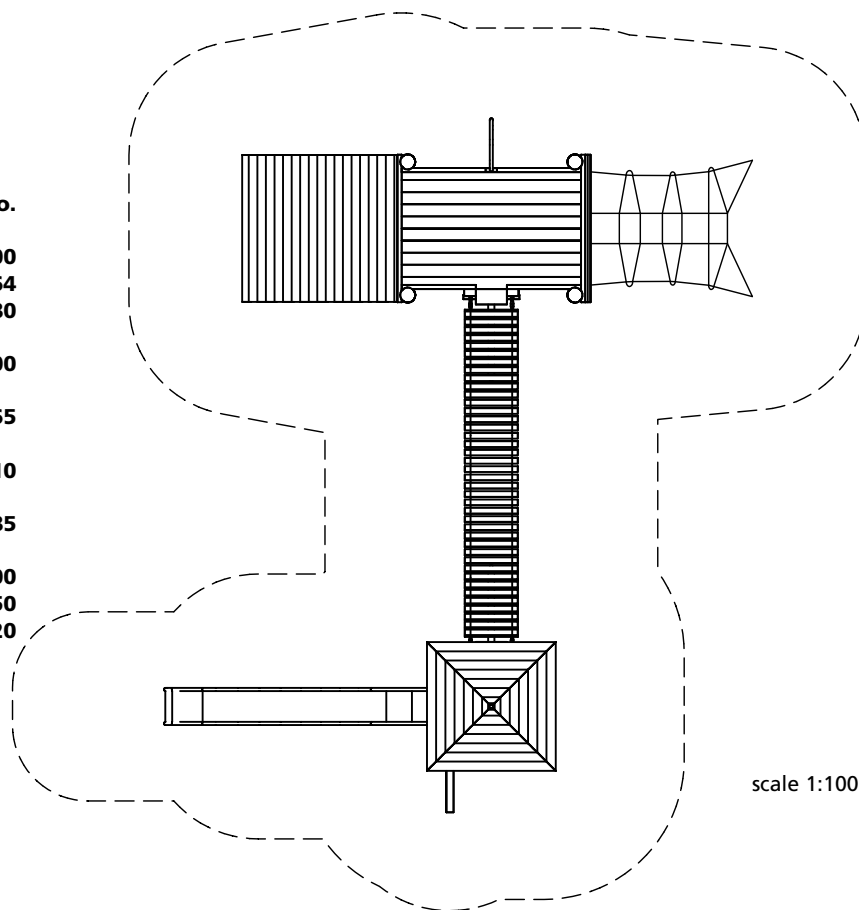
Tower Combination 60
Order No. 2.60000

Components

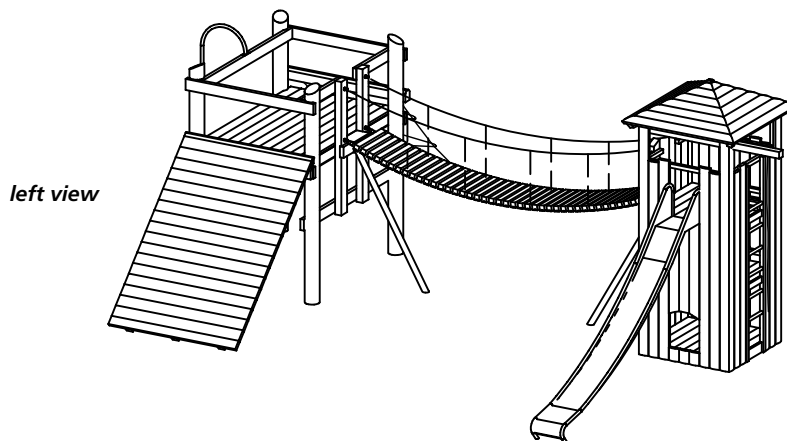
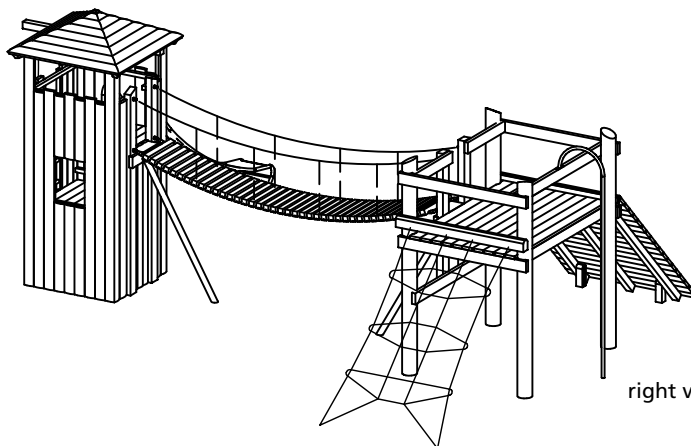
- 1 Platform height 2.00 m
- 1 Bent Firmer's Pole
- 1 Inclined Climbing Net attachment height 2.00 m
- 1 Inclined Wall attachment height 2.00 m
- 1 Support Frame for suspension bridge
- 1 Suspension Bridge 5.00 m with chain handrails
- 1 Support Frame for suspension bridge
- 1 Square Tower with roof
- 1 Swing Rope with beam
- 1 Stainless Steel Slide with ground anchor attachment height 2.00 m

Order No.

- 3.26500**
- 3.69464**
- 3.69180**
- 3.67500**
- 3.66065**
- 3.66110**
- 3.66085**
- 3.20600**
- 3.69450**
- 3.63420**



Required space incl. safety distance
 12.25 x 11.85 m



2.60000

Safety check according to EN 1176