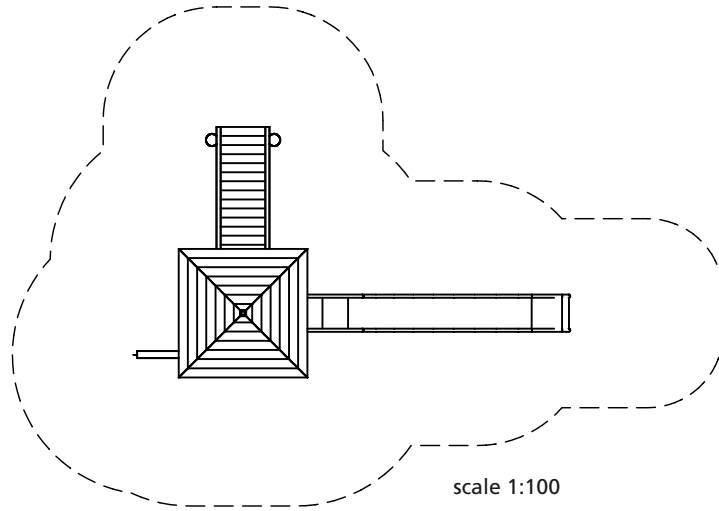


**Tower Combination 30**  
**Order No. 2.30000**

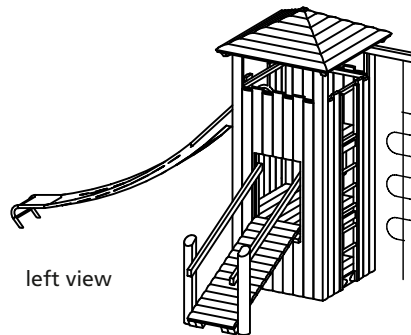
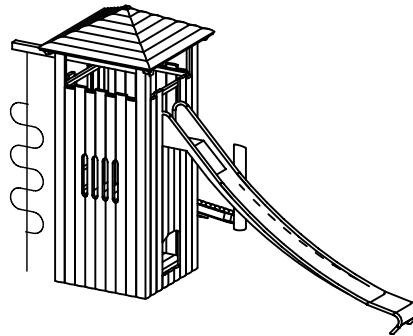


**Components**

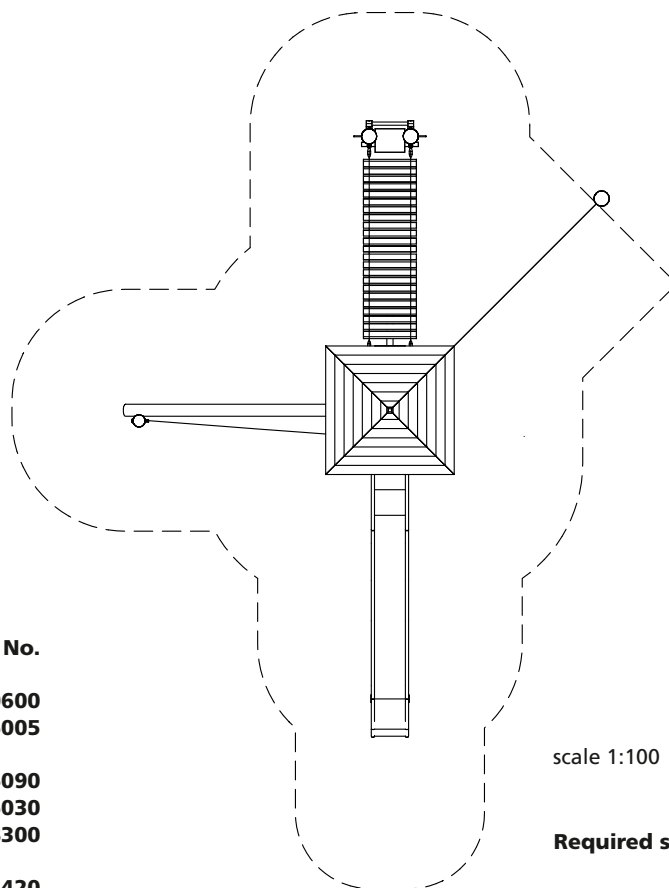
**Order No.**

- |   |                |
|---|----------------|
| 1 Square Tower with roof  | <b>3.20600</b> |
| 1 Climbing Ladder with beam   | <b>3.69410</b> |
| 1 Fastening Frame for bridge  | <b>3.66353</b> |
| 1 Bridge 2.00 m with wooden handrails                               | <b>3.66425</b> |
| 1 End Frame   | <b>3.66410</b> |
| 1 Stainless Steel Slide with ground anchor attachment height 2.00 m | <b>3.63420</b> |

**Required space incl. safety distance**  
 9.40 x 6.60 m



**Tower Combination 331**  
**Order No. 2.33100**



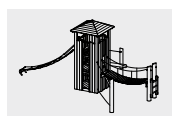
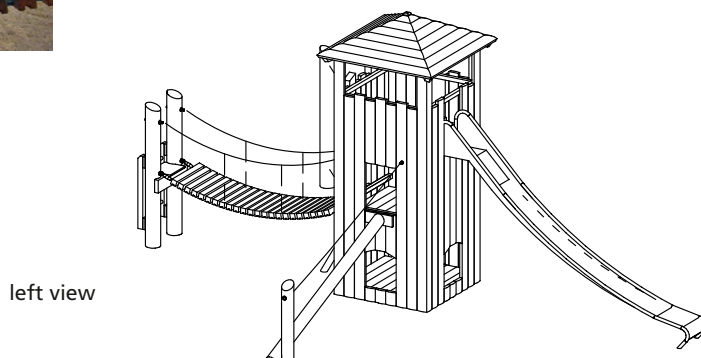
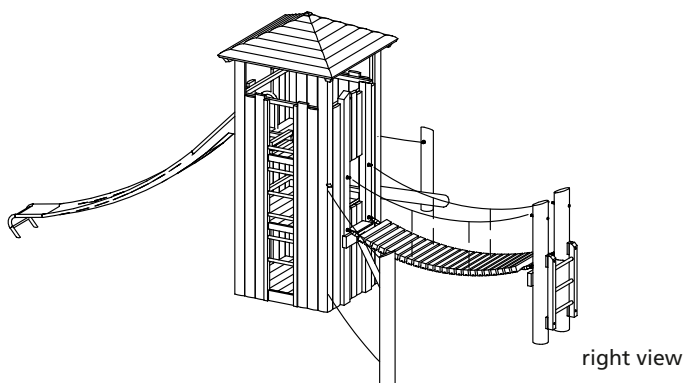
scale 1:100

**Required space incl. safety distance**  
 11.60 x 8.80 m

**Components**

**Order No.**

- |   |                |
|---|----------------|
| 1 Square Tower with roof  | <b>3.20600</b> |
| 1 Support Frame for suspension bridge                               | <b>3.66005</b> |
| 1 Suspension Bridge 3.00 m  | <b>3.66090</b> |
| 1 End Frame with ladder   | <b>3.66030</b> |
| 1 Inclined Balancing Beam with chain handrail                       | <b>3.68300</b> |
| 1 Stainless Steel Slide with ground anchor attachment height 2.00 m | <b>3.63420</b> |
| 1 Balancing Rope with holding rope                                  | <b>3.69010</b> |



**2.33100**

Safety check according to EN 1176