

**Play value**

The artist took hold of the subjects sheep and flock on different levels and abstracted it with flair. The thick, shaggy wool, the softly shaped ears and the gawky feet of a sheep are transposed as well as the patient and humble appearance which a sheep has while grazing. Even if the movement does not immediately bring to mind an association with sheep, the fine, wobbling of the body reflects the undulations of a walking flock. When standing in a group, these art objects evoke associations with flocks of sheep, unity in variety, and even - due to successful abstraction - one's relationship with nature. The sheep is equally suitable for an artistically designed play point in urban environments. In leisure areas, the animals can be used as amusing, alternative seats for young and old, which promote relaxation and ease by their movement. Children's spaces get an unmistakable identity from a flock of sheep.

**Fundamental characteristics**

- Art Play
- incentive for playing: friendly appearance, animal
- movement: climbing, sitting, little wobble effect

**Suitable**

- for children from 3 years
- for public playgrounds  
playgrounds situated near houses  
nurseries  
children's homes  
therapy institutions for children  
pedestrian zones, parks  
market squares



Order No. 4.24273 Wild Boar



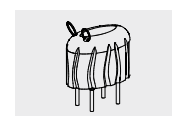
Order No. 4.24270 Wobbly Sheep



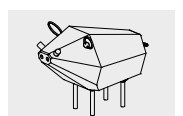
**Wobbly Sheep  
Wild Boar**

Copyright © Richter Spielgeräte GmbH 10/15

Design M. Lehner

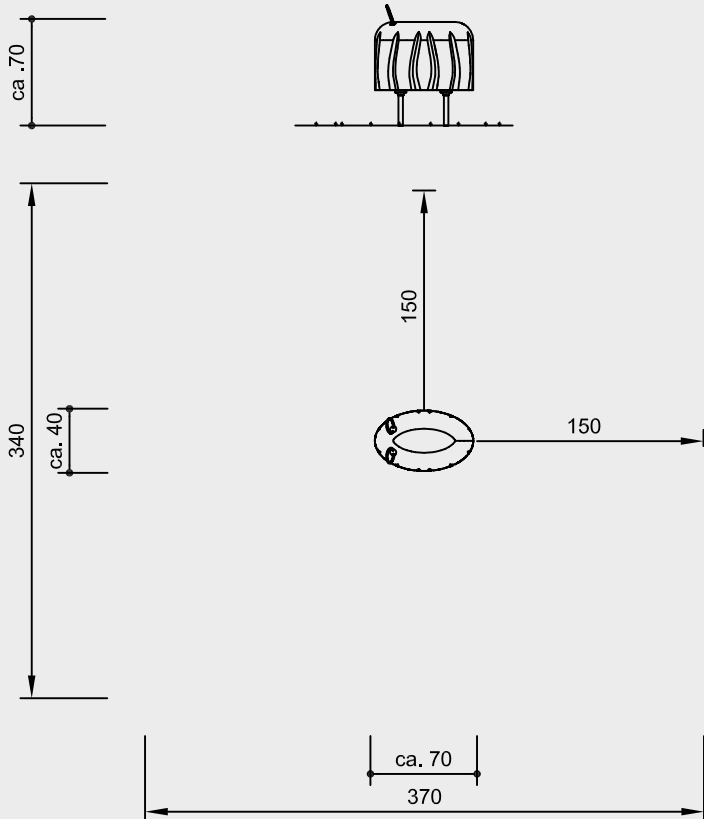


4.24270

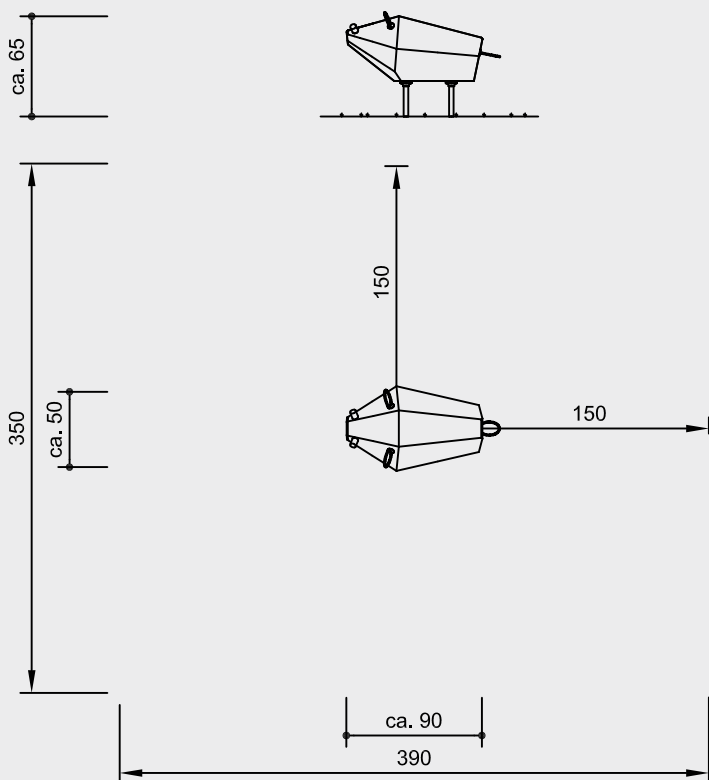


4.24273

**Order No. 4.24270  
Wobbly Sheep**



**Order No. 4.24273  
Wild Boar**

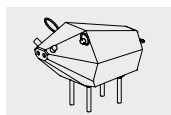


scale 1:50

Safety check according to EN 1176



4.24270



4.24273

**Technical information**

Body of solid poplar wood, worked on by hand, boiler pressure impregnated according to DIN 68800-3, use class 4

**Corocord®rope special ropes of "Hercules type"**  
ears of Corocord® rope of the special "Hercules type", abrasion protected through heating of the six steel strands and melting the polyester sleeve onto them, standard colour natural



bearing: rubber-metal connection only intended for gentle movement

**Dimensions**  
(every animal is unique, the indications of the measurements may vary)

**Order No. 4.24270 Wobbly Sheep**

length	0.70 m
height	0.70 m
width	0.40 m
weight	125 kg

**Order No. 4.24273 Wild Boar**

length	0.90 m
height	0.65 m
width	0.50 m
weight	140 kg

**Components**

1 animal with wobbling mechanism, in various sizes, with ground anchor of steel

**Installation information**

Surfacing requirements corresponding to a fall height of  $\leq 1.00$  m (please refer to price list for more detailed information)

Foundations  
excavation depth for ground anchor 85 x 70 x 50 cm

**Attention:**  
**Exact measurements may vary, for all installation dimensions refer to current installation instructions.**  
Technical changes reserved.

For more detailed explanation of the quality characteristics see price list.